

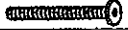



70664

ASSEMBLY INSTRUCTIONS

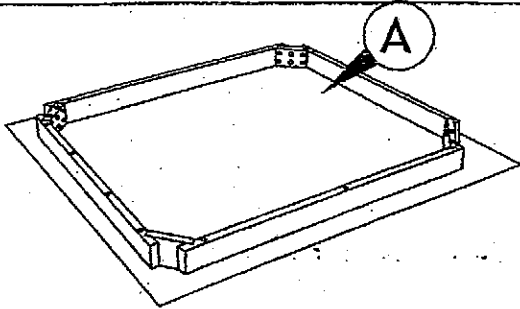
MODEL: SQUARE TABLE

Read this instruction carefully. Refer hardware and furniture parts list for guidance. Be sure all parts are complete, before assembling. Place all wooden furniture part on a clean and flat soft surface to prevent scratches. Refer steps provided as assembling guide.

PART LIST		
ITEM	DESCRIPTION	QTY
A	Table Top With Apron	1 PC
B	Table Leg	4 PCS

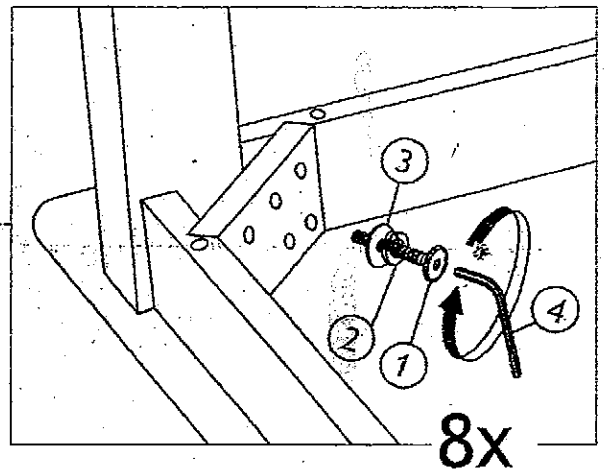
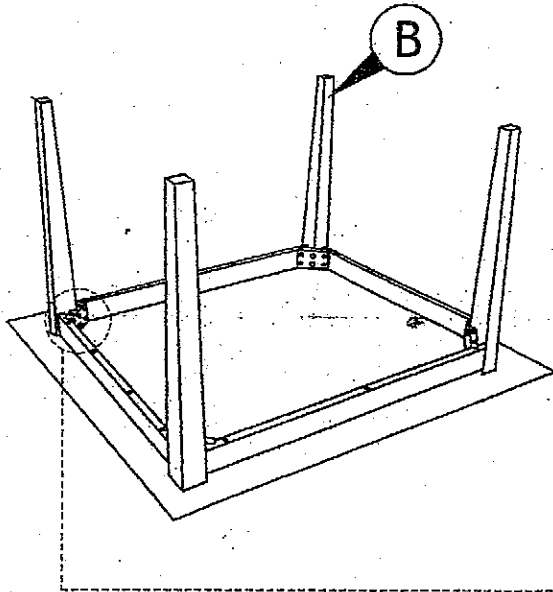
HARDWARE LIST		
ITEM	DESCRIPTION	QTY
1	JCBC Screw M6 x 60mm 	8 PCS
2	Spring Washer M6 x 13MM 	8 PCS
3	Flat Washer M6 x 16.5mm 	8 PCS
4	Allen Key M4 x 55mm 	1 PC

STEP 1



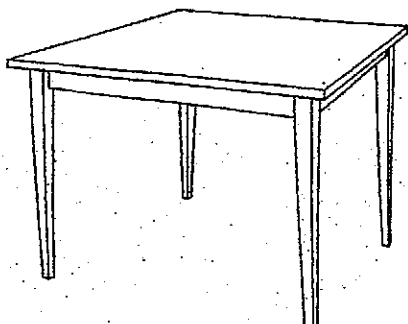
PUT TABLE TOP ON THE FLOOR

STEP 2



ASSEMBLE TABLE LEG TO THE TABLE APRON BY USING ITEM 1, 2, 3 & 4.

STEP 3



COMPLETED ASSEMBLY