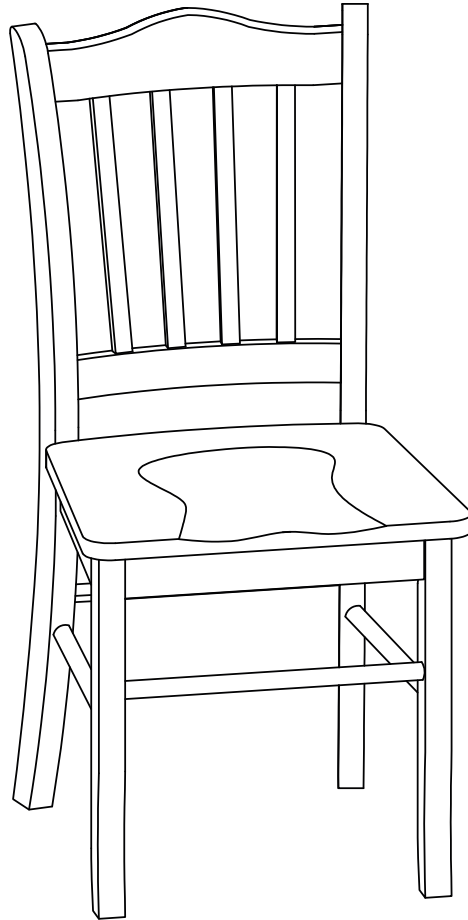




Boraam Industries

ASSEMBLY INSTRUCTIONS

SKU: 30536,30636,30136 | SHAKER DINING CHAIR



Weight Capacity

08/2023



Have questions about assembling your item?



Items or parts damaged?



Missing a part?

We're here to help! (Monday-Friday from 9am-5pm CST)



847-949-6300
877-267-2261



customerservice@
boraamindustries.com



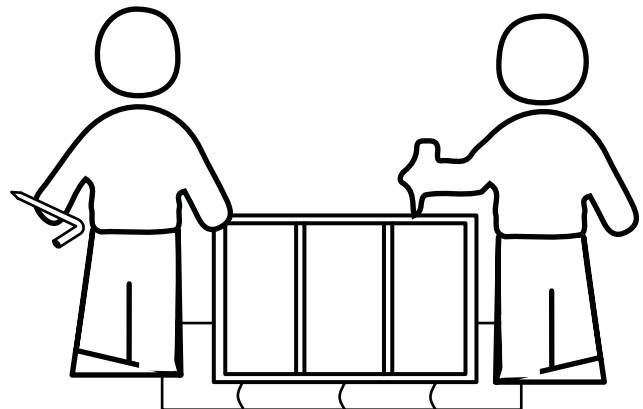
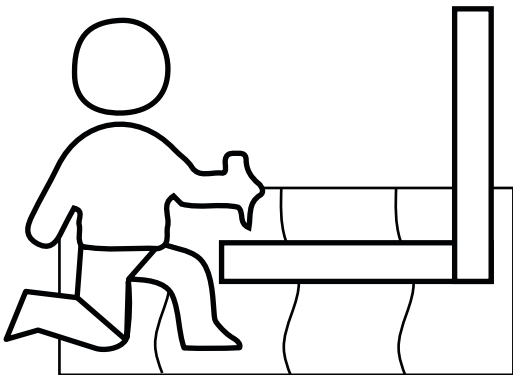
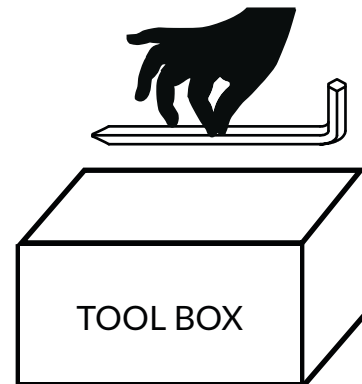
www.boraamindustries.com



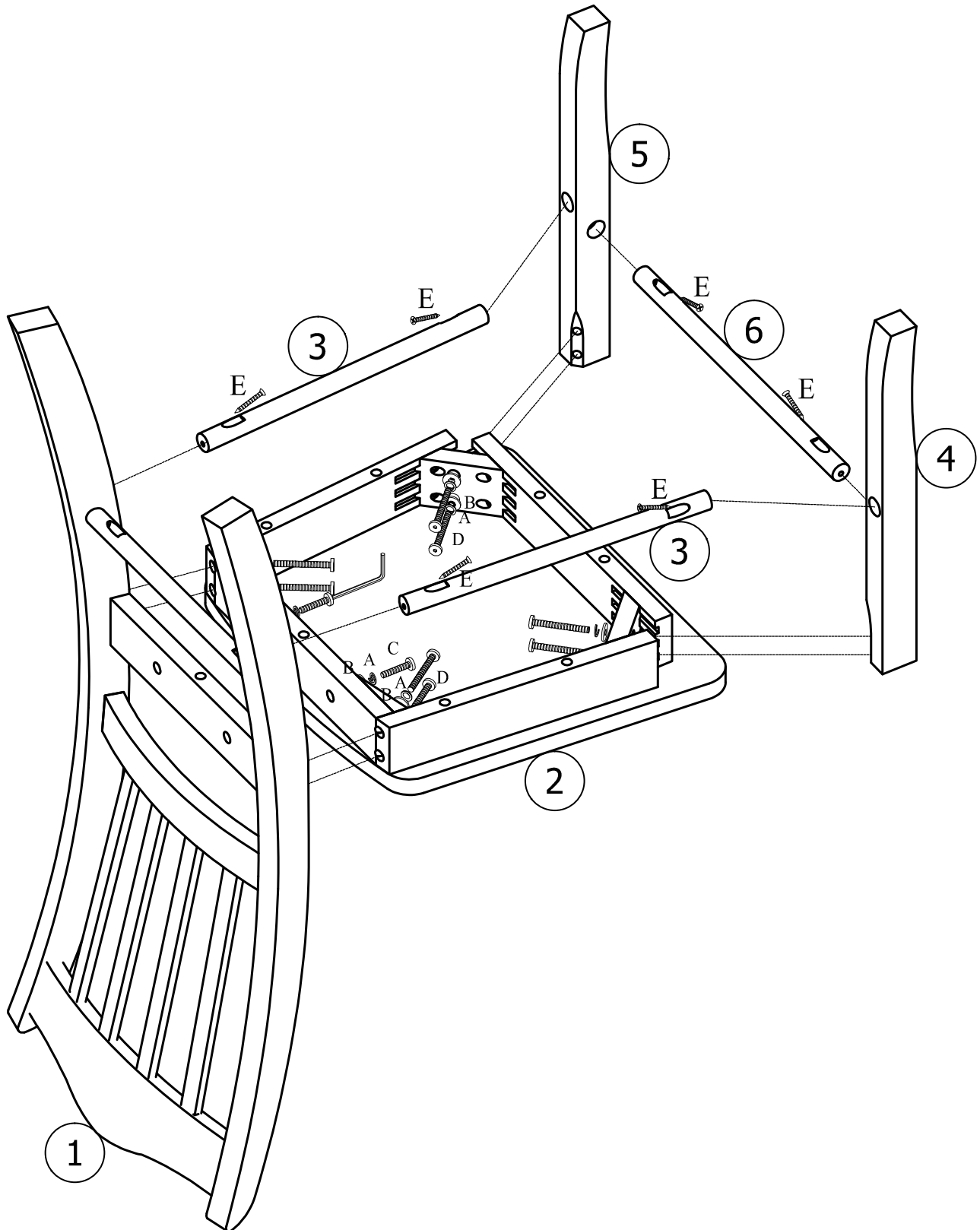
Philips screwdriver
not included.

Assembly And Care

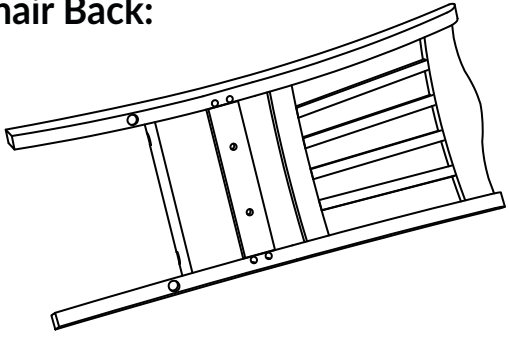
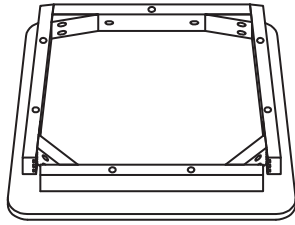




- All required tools for assembly are included unless noted.
- Locate and inspect all parts for missing items or damage prior to assembly.
- Do not dispose of packing materials until assembly is completed.
- Assemble item on a soft, clean surface to prevent damage to the item.
- Proper assembly requires 2 people.




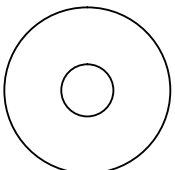
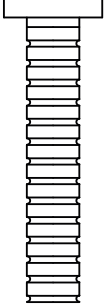
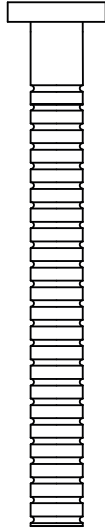
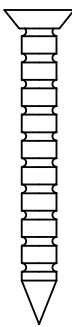
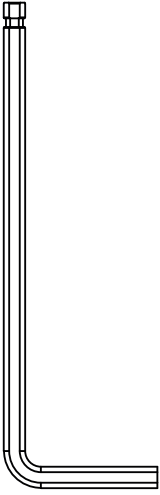
Assembly Overview



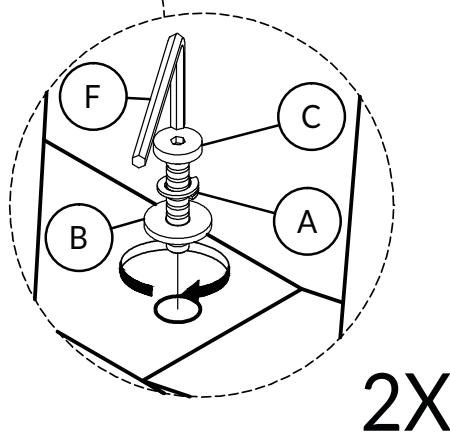
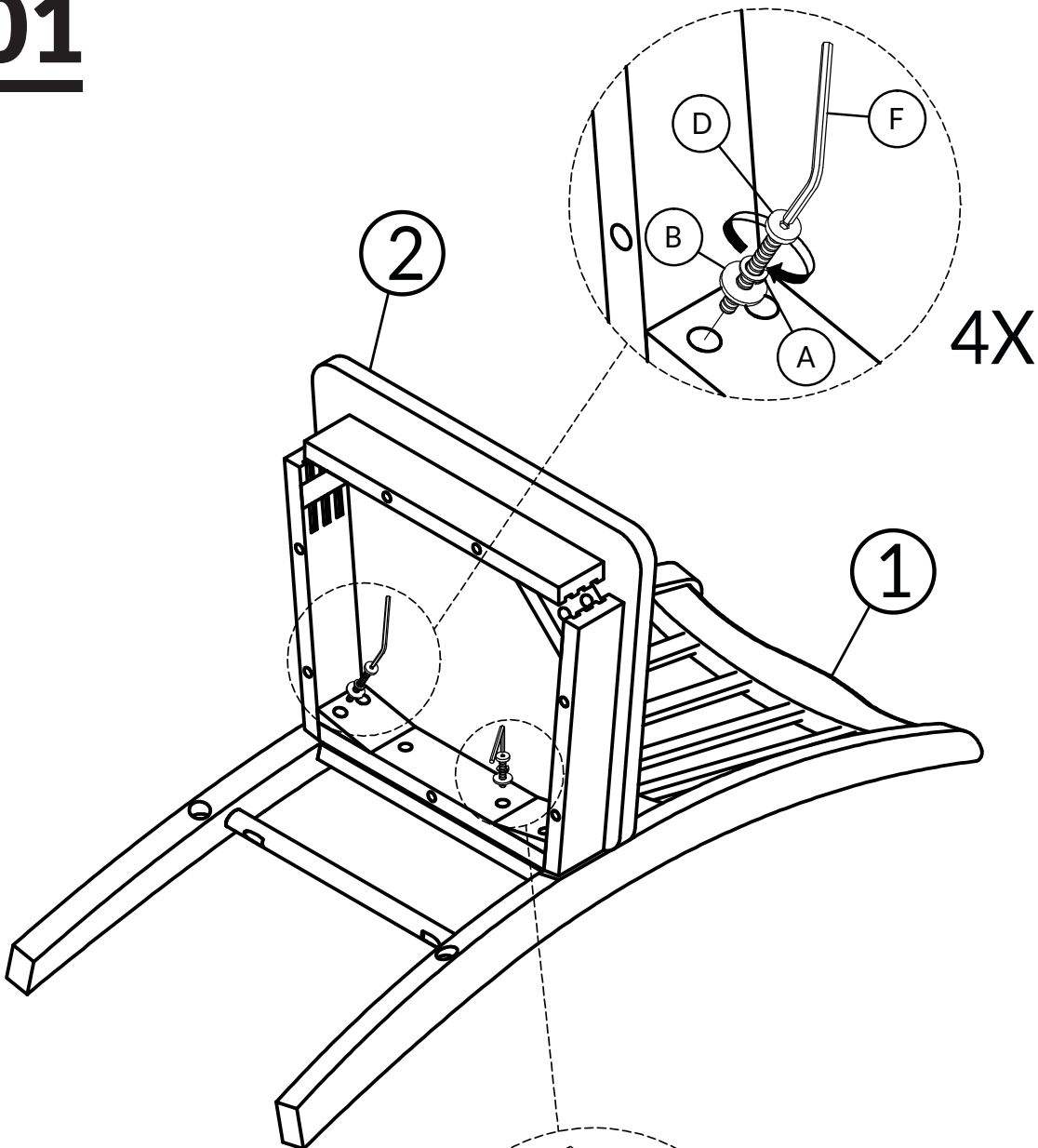
PARTS

① (x1)		② (x1)	
Chair Back: 		Seat Frame: 	
③ (x2)	④ (x1)	⑤ (x1)	⑥ (x1)
Side Stretcher: 	Leg-Left: 	Leg-Right: 	Footrest: 

HARDWARE

Ⓐ (x10)	Ⓑ (x10)	Ⓒ (x2)	Ⓓ (x8)	Ⓔ (x6)	Ⓕ (x1)
					
Spring Washer	Flat Washer	Bolt M6x35	Bolt M6x60	Screw M4x35	Allen Wrench

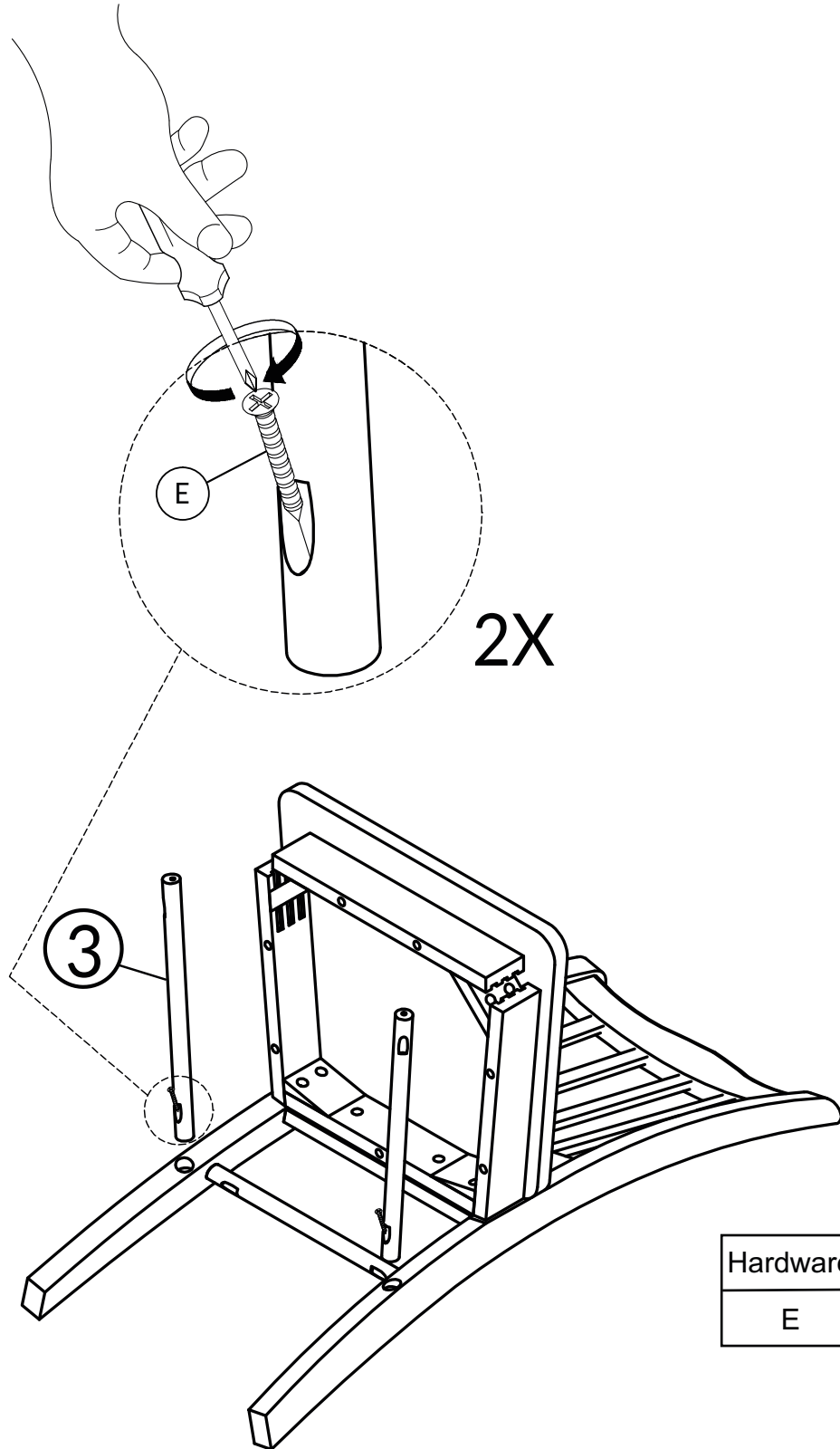
01



Hardware	Count
A	6
B	6
C	2
D	4
F	1

DO NOT TIGHTEN BOLT COMPLETELY.

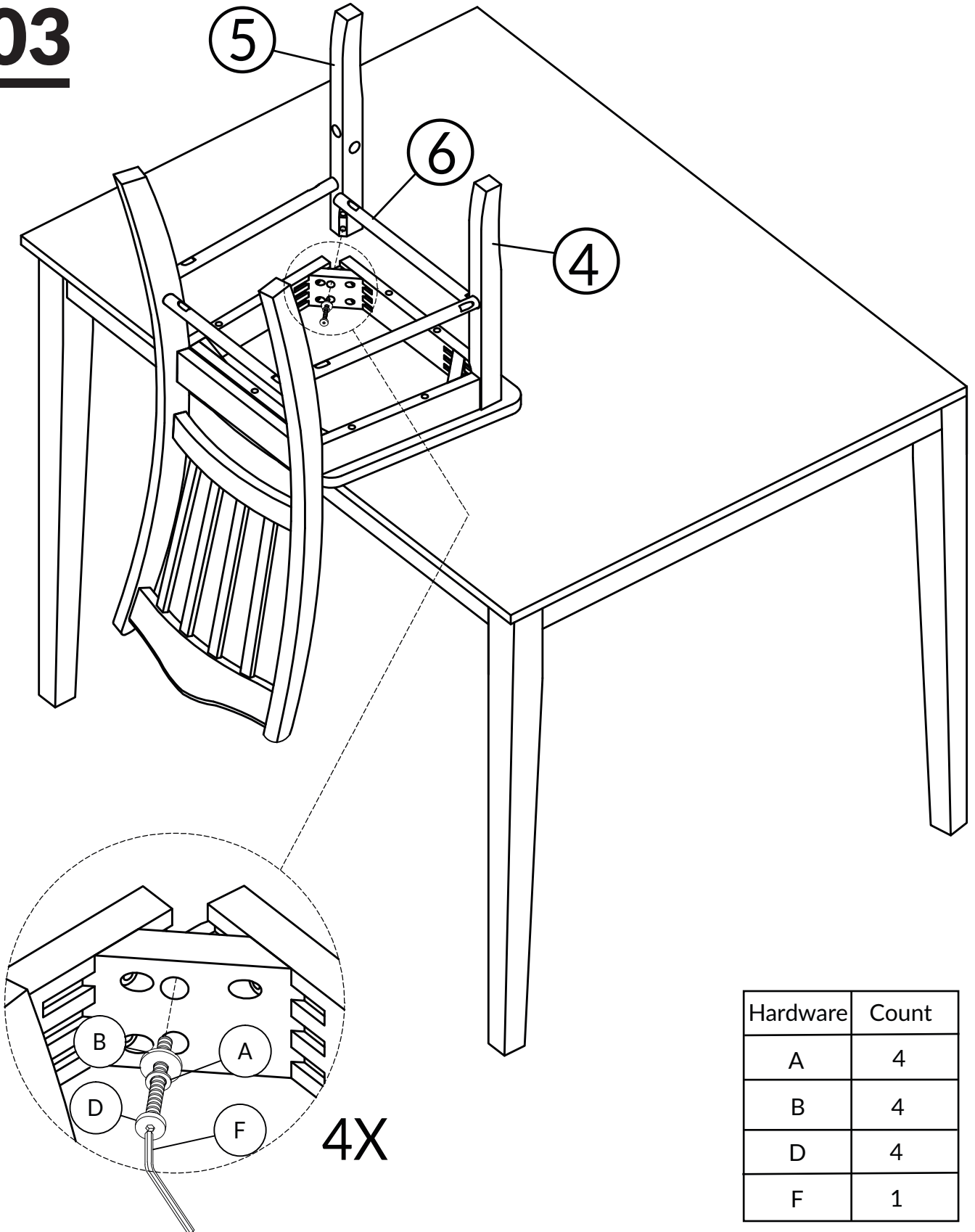
02



Hardware	Count
E	2

DO NOT TIGHTEN SCREW COMPLETELY.

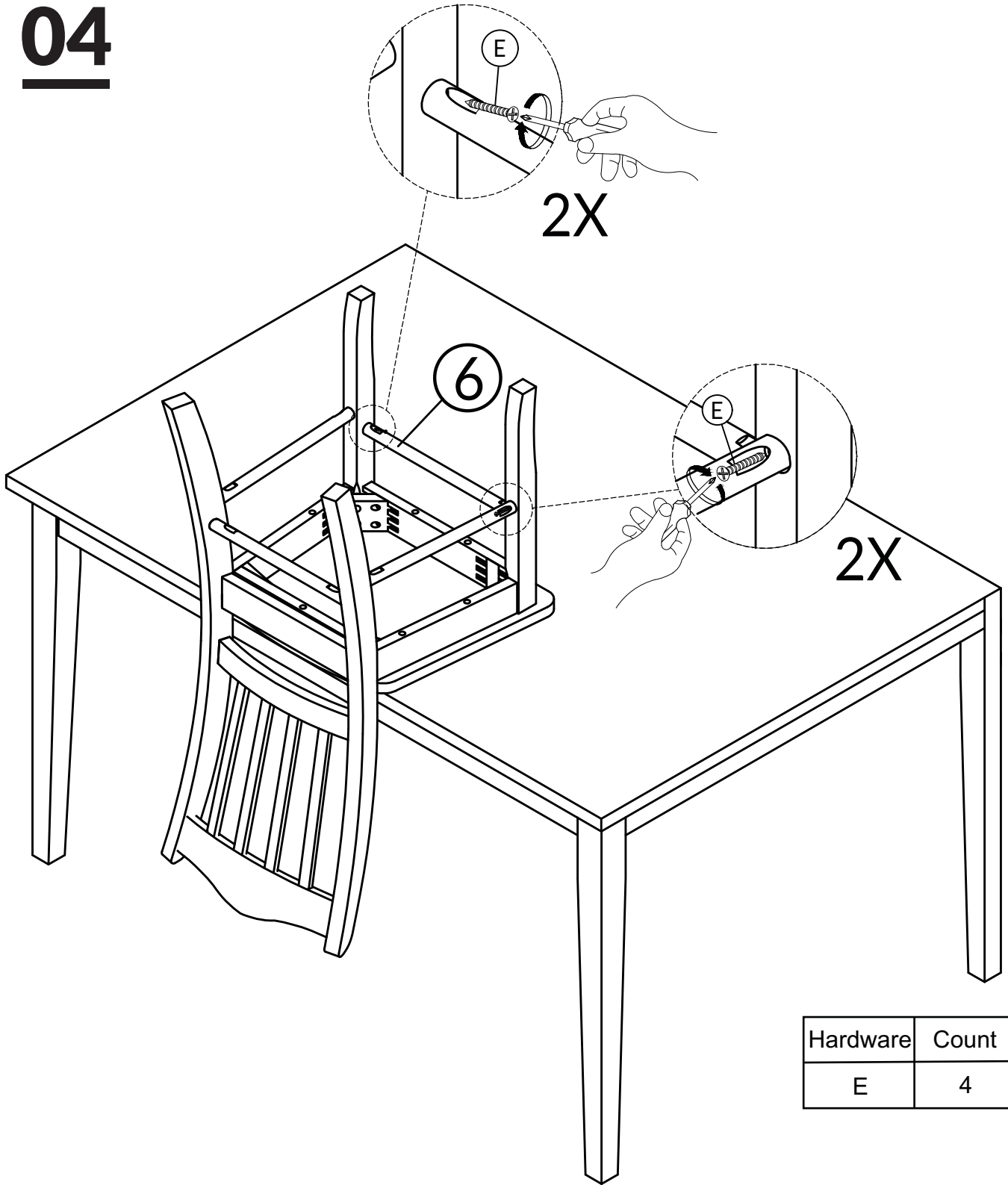
03



Hardware	Count
A	4
B	4
D	4
F	1

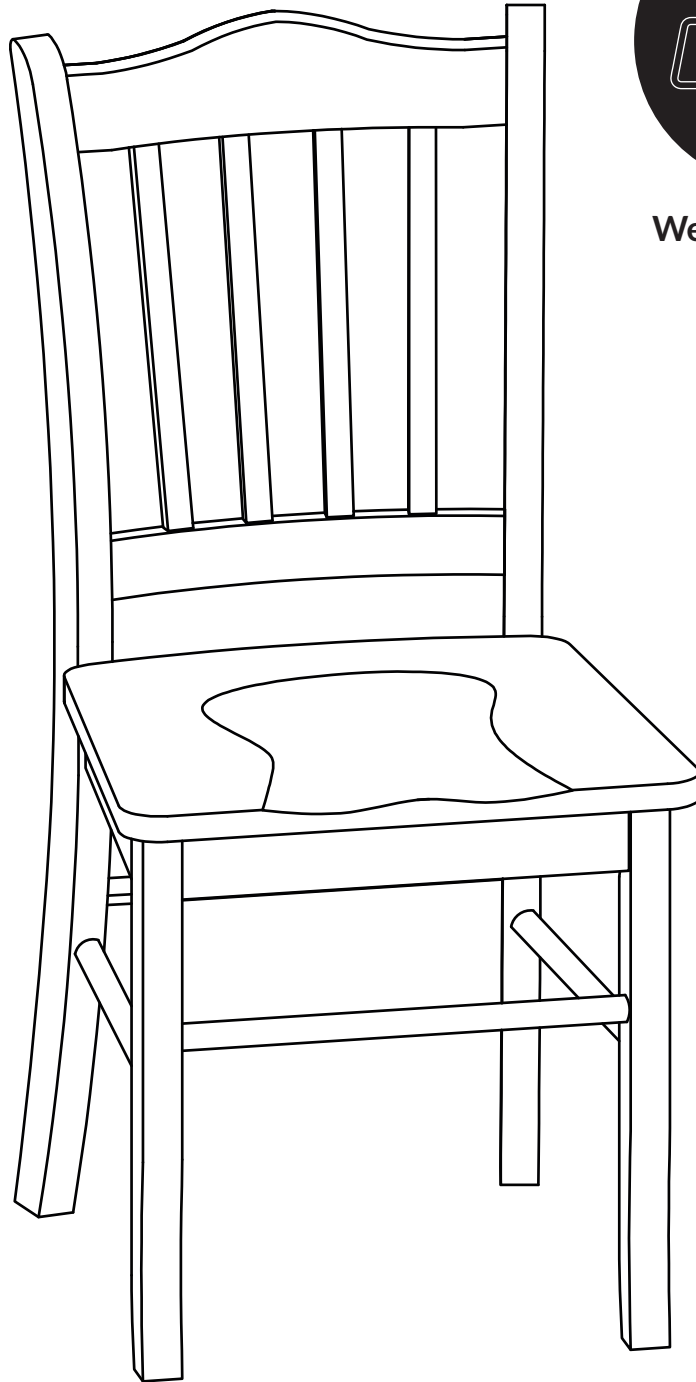
DO NOT TIGHTEN BOLT COMPLETELY.

04



Hardware	Count
E	4

TIGHTEN BOLT AND SCREW COMPLETELY.



Weight Capacity

BE SURE TO CHECK ALL BOLTS ARE SECURELY TIGHTENED PRIOR TO USE.

847-949-6300 | 877-267-2261 | customerservice@boraamindustries.com