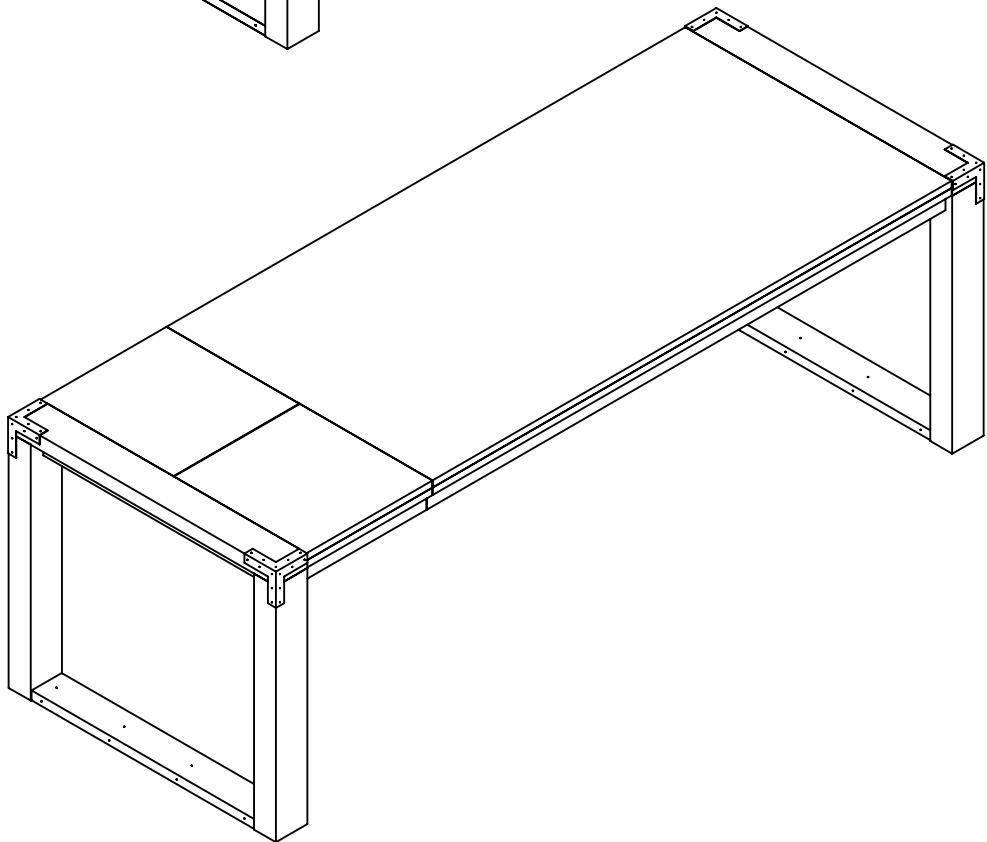
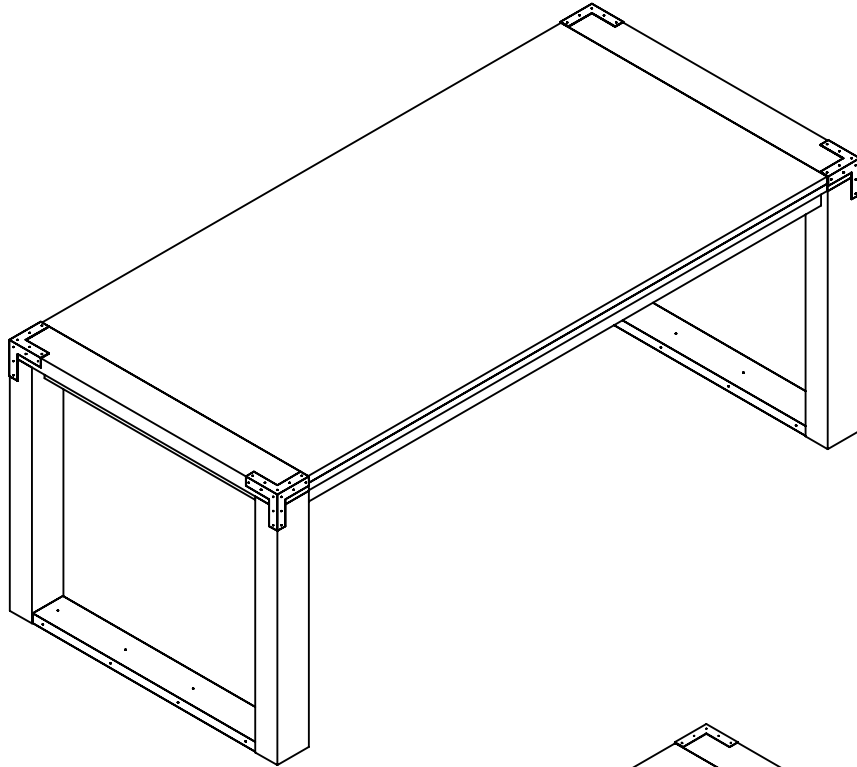




Boraam Industries
MONTANA EXTENSION DINING TABLE
ASSEMBLY INSTRUCTIONS





PLEASE READ ME FIRST



- Have questions about assembling your item?



- Item or parts damaged?



- Missing a part?



- We're here to help!



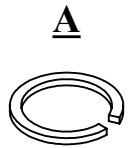
(847)949-6300 (M-F, 9am-5pm CST)



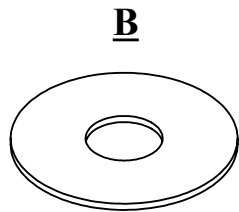
www.boraamindustries.com



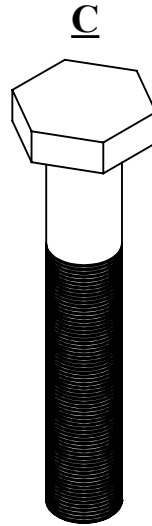
customerservice@boraamindustries.com



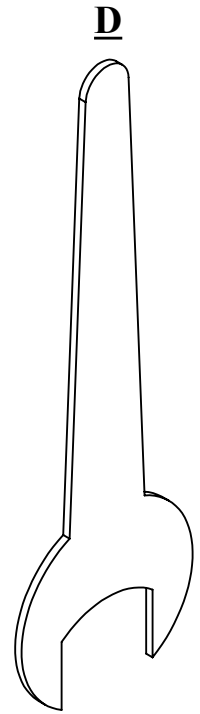
12PCS
M10*10



12PCS
M10*30

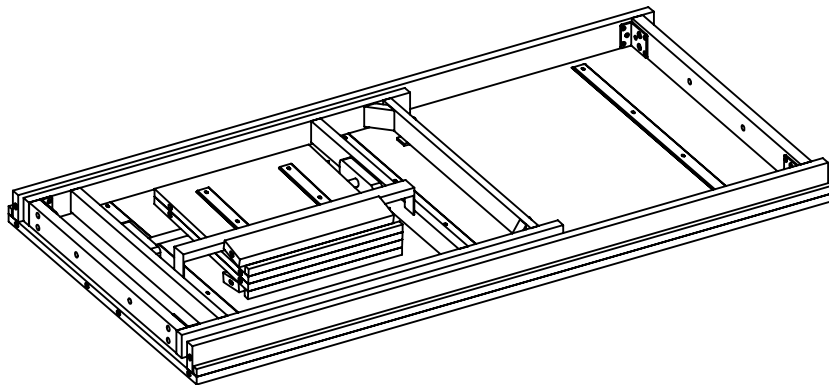


12PCS
M10*60

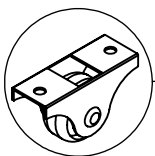
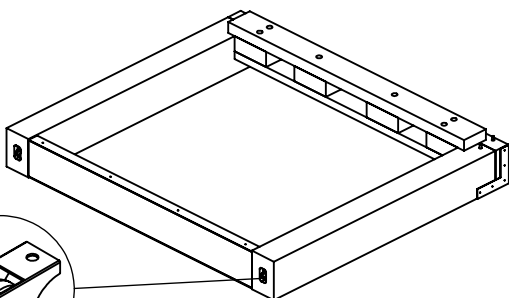


1PC
Allen Wrench
M17*100

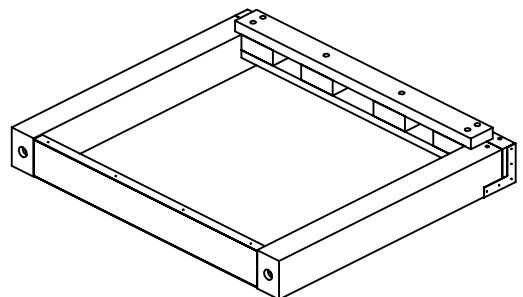
①





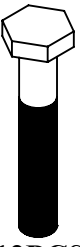
②

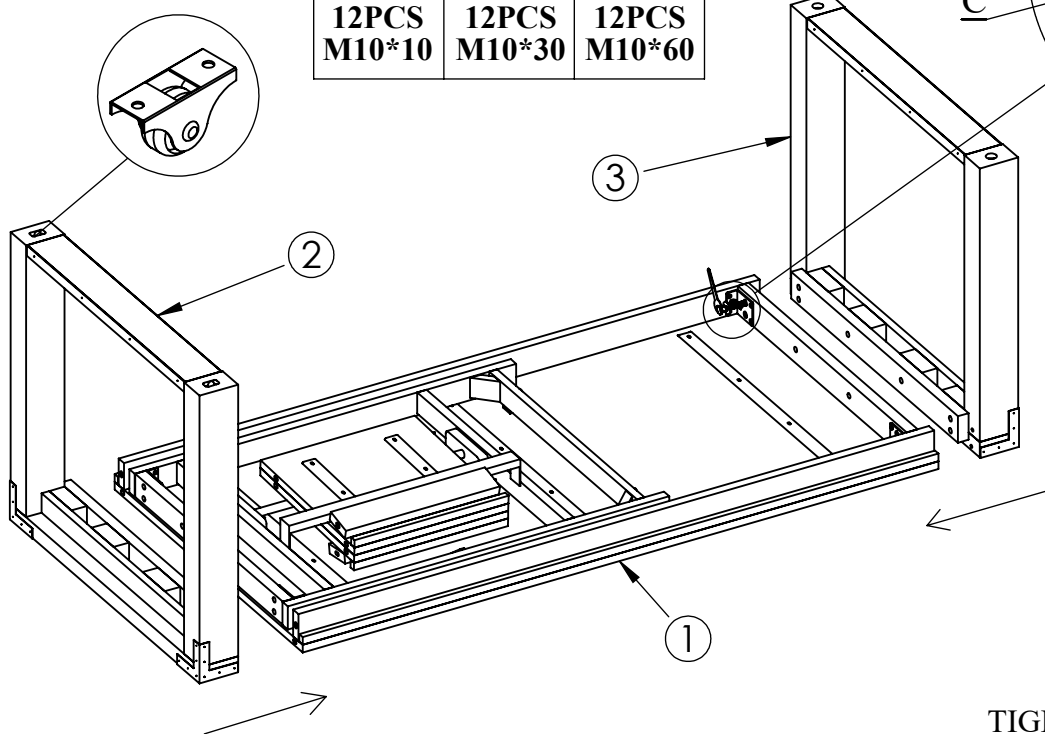
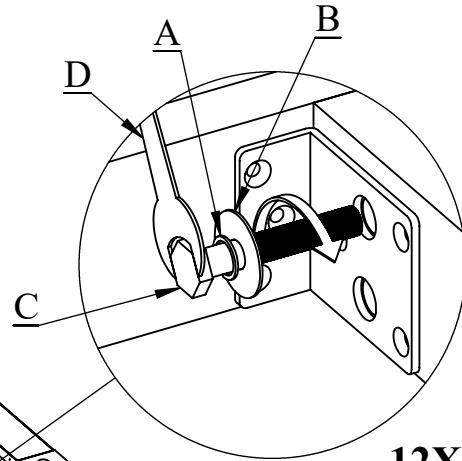


③



01

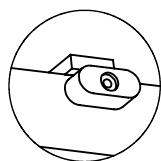
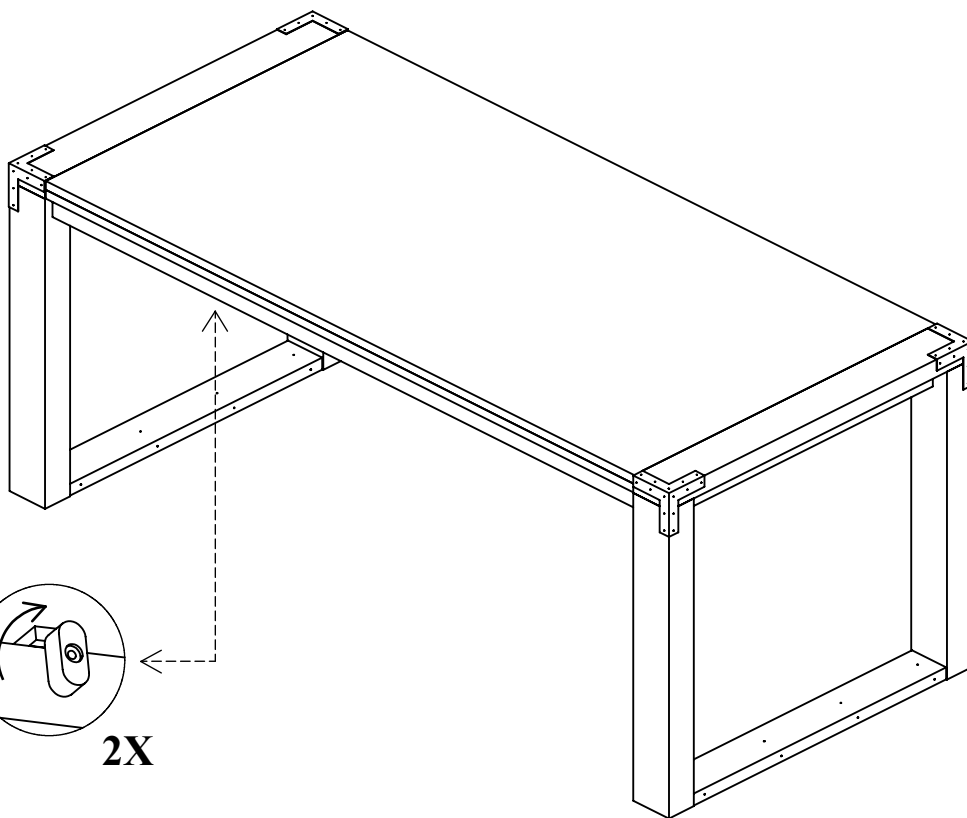
A  12PCS M10*10	B  12PCS M10*30	C  12PCS M10*60
--	--	--



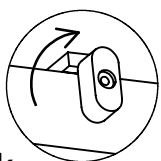
12X

TIGHTEN BOLT COMPLETELY

02

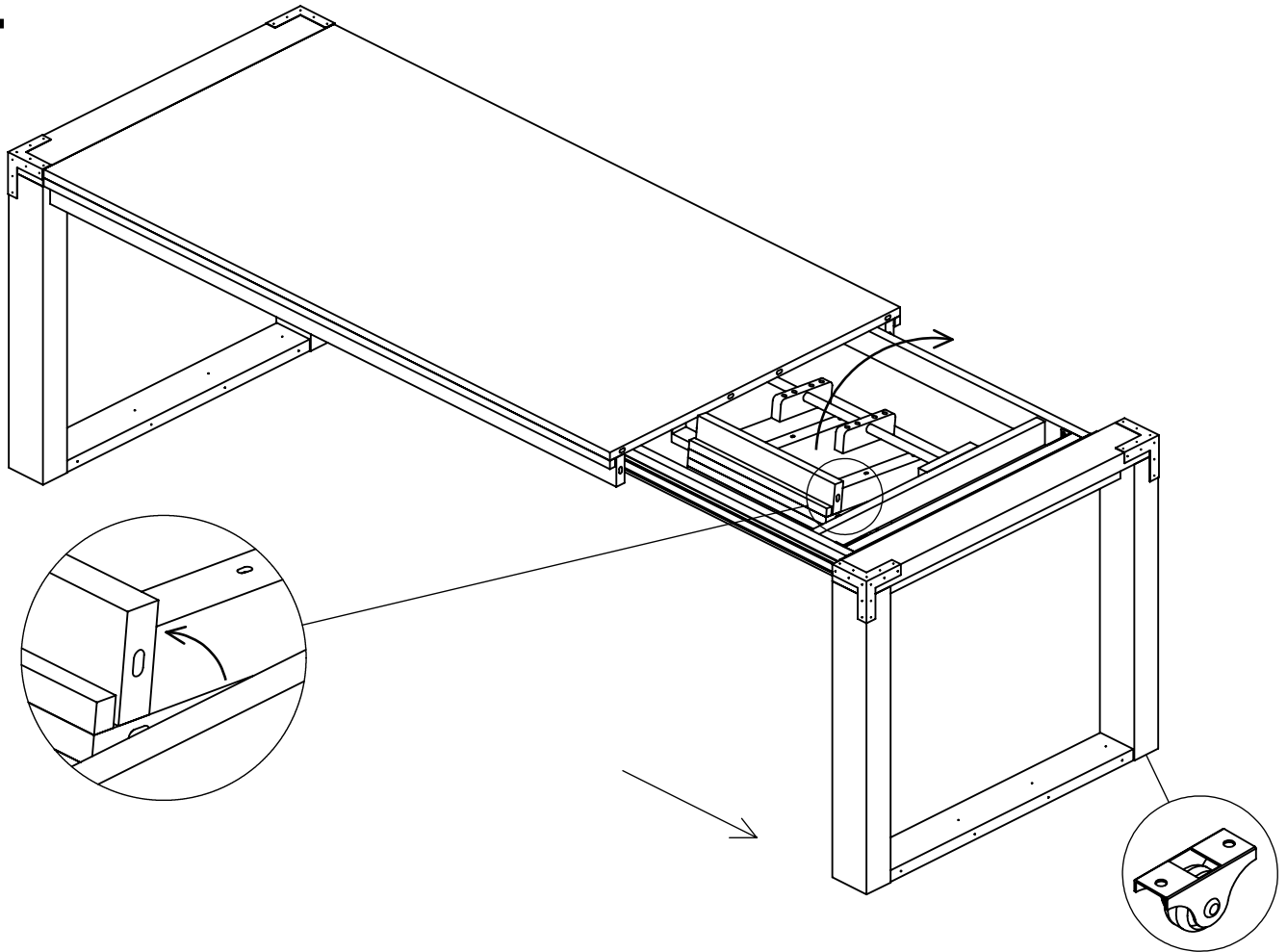


Unlock

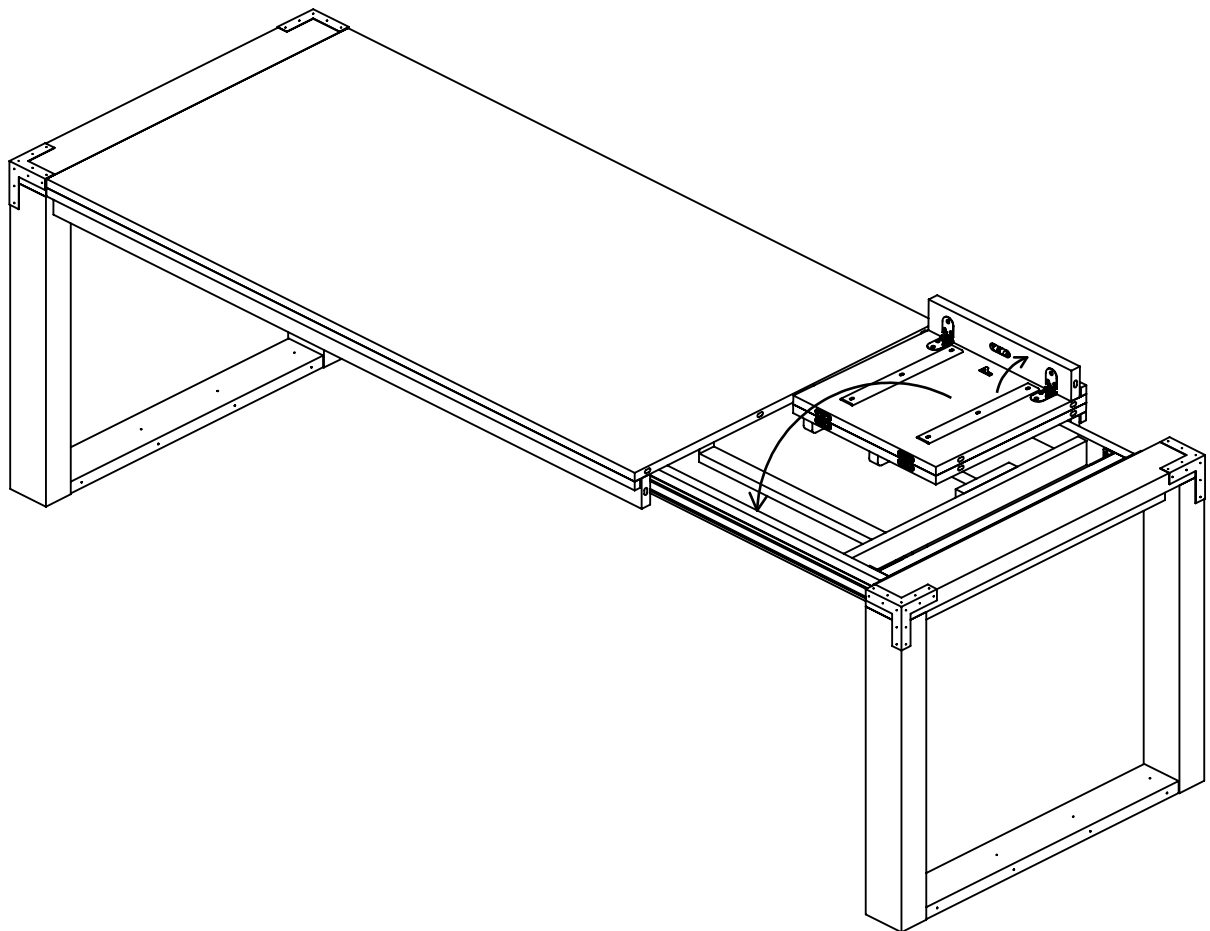


2X

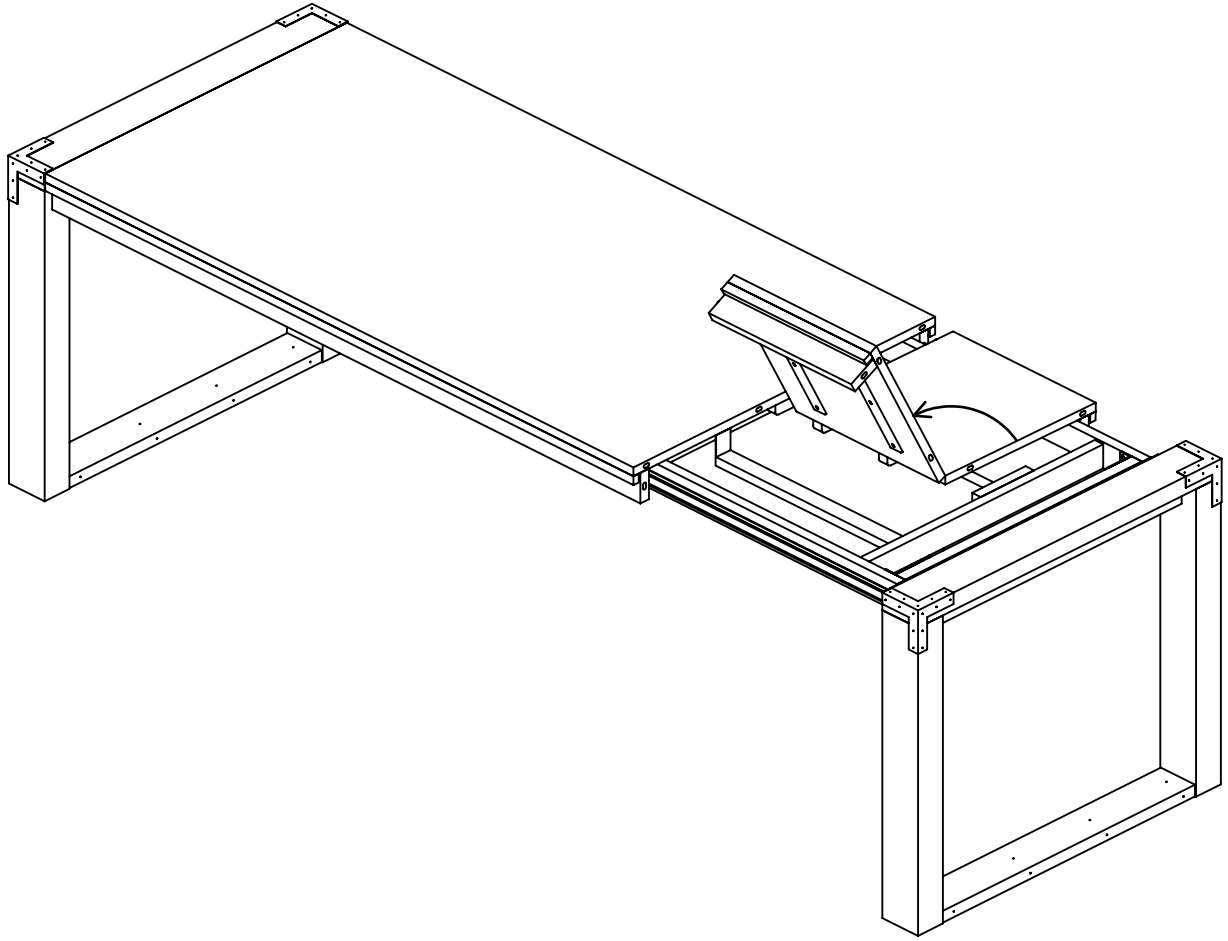
03



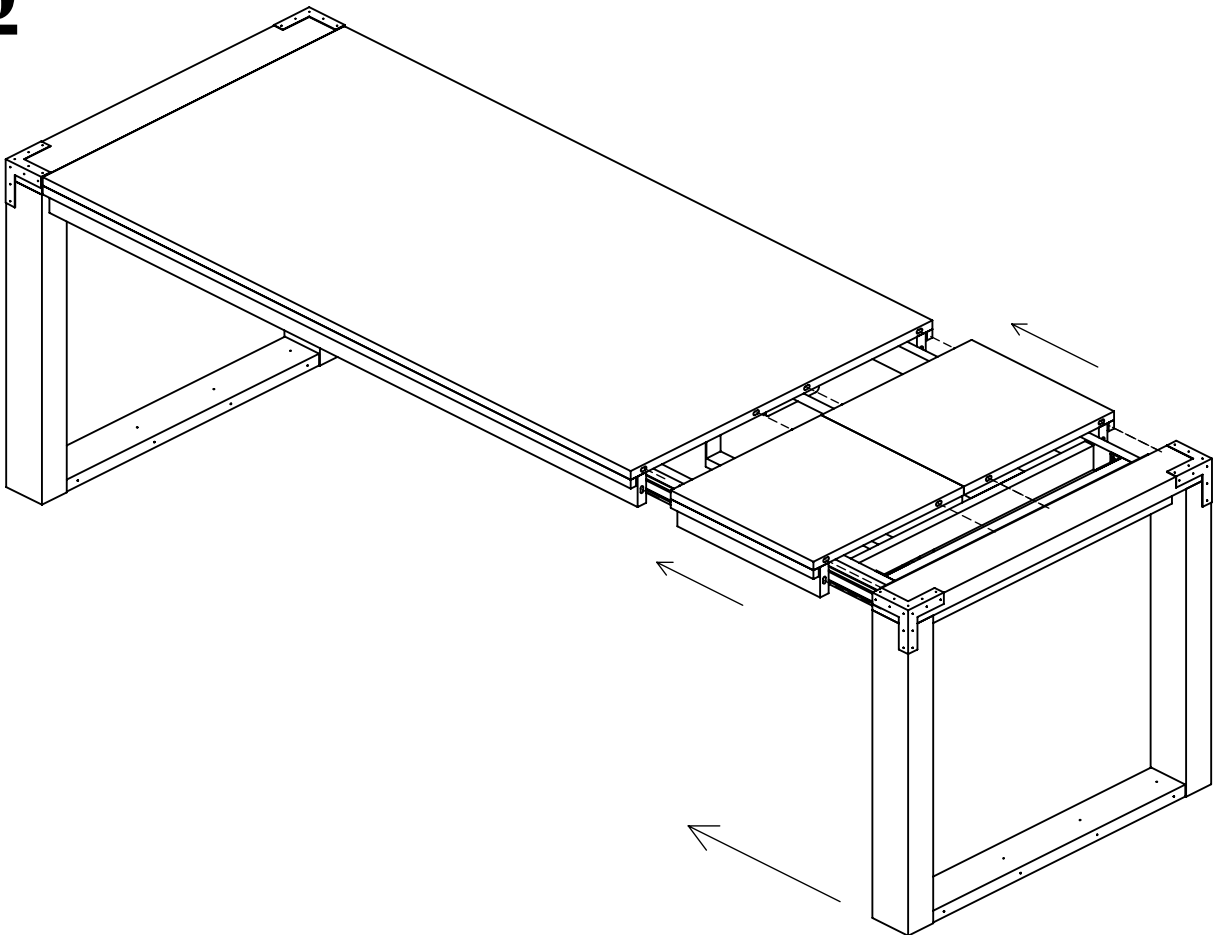
04

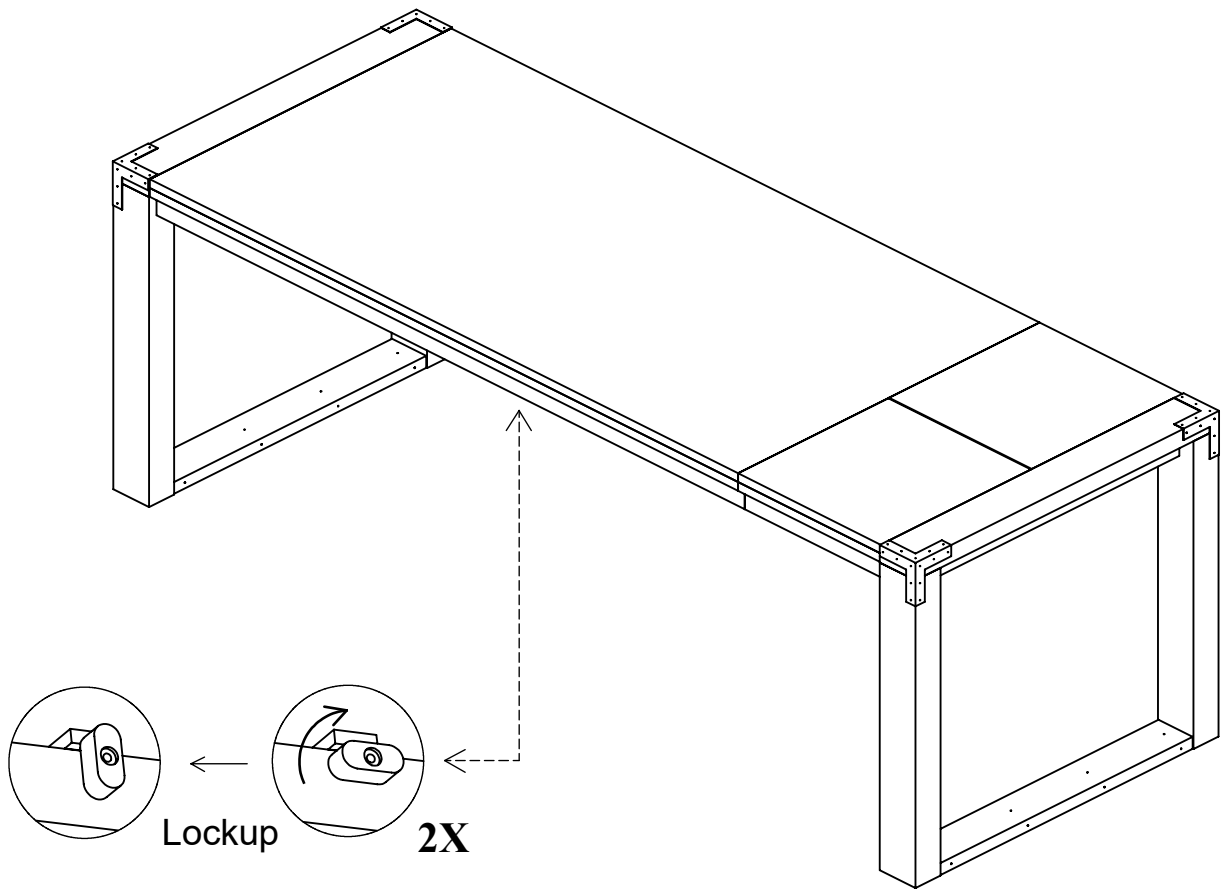


05



06





BE SURE TO CHECK ALL BOLTS SECURELY
TIGHTENED PRIOR USING THIS TABLE