





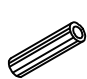


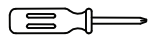

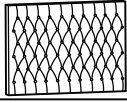







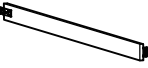



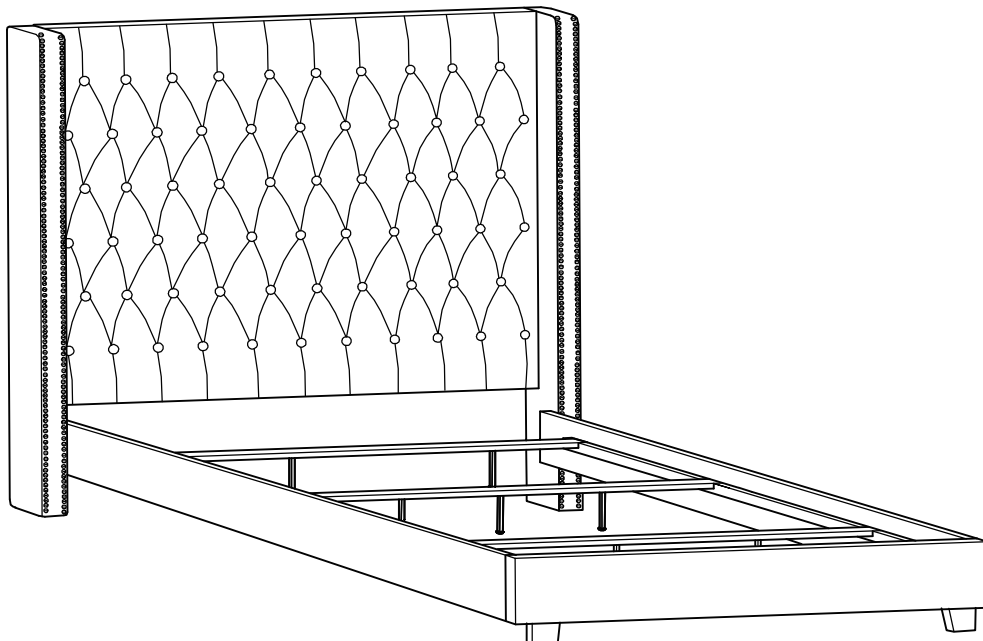
CL-1400 KING SIZE BED ASSEMBLY INSTRUCTIONS

HARDWARE LIST

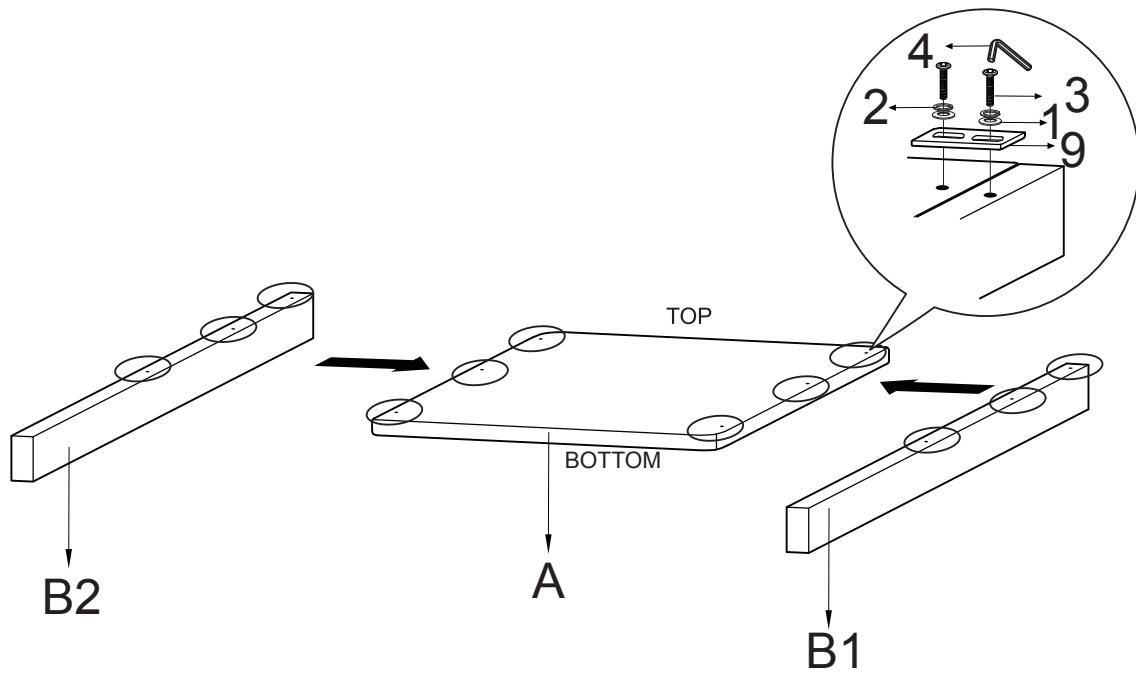
NO	SKETCH	DESCRIPTION	SIZE	QTY
1		Flat Washer	M8 x 19mm	33PCS
2		Spring Washer	M8	26PCS
3		Bolt	M8 x 35mm	19PCS
4		Allen Key	M5x70x60mm	1PC
5		Bolt	M8 x 65mm	2PCS
6		Bolt	M8 x 25mm	8PCS
7		Wood dowel	M8 x 35mm	2PCS
8		Wood screw	38mm	6PCS
9		Connect Metal Plate		6PCS
10		Screw Driver		Not Provided
11		Bolt	M8 x 45mm	4PCS

PARTS LIST

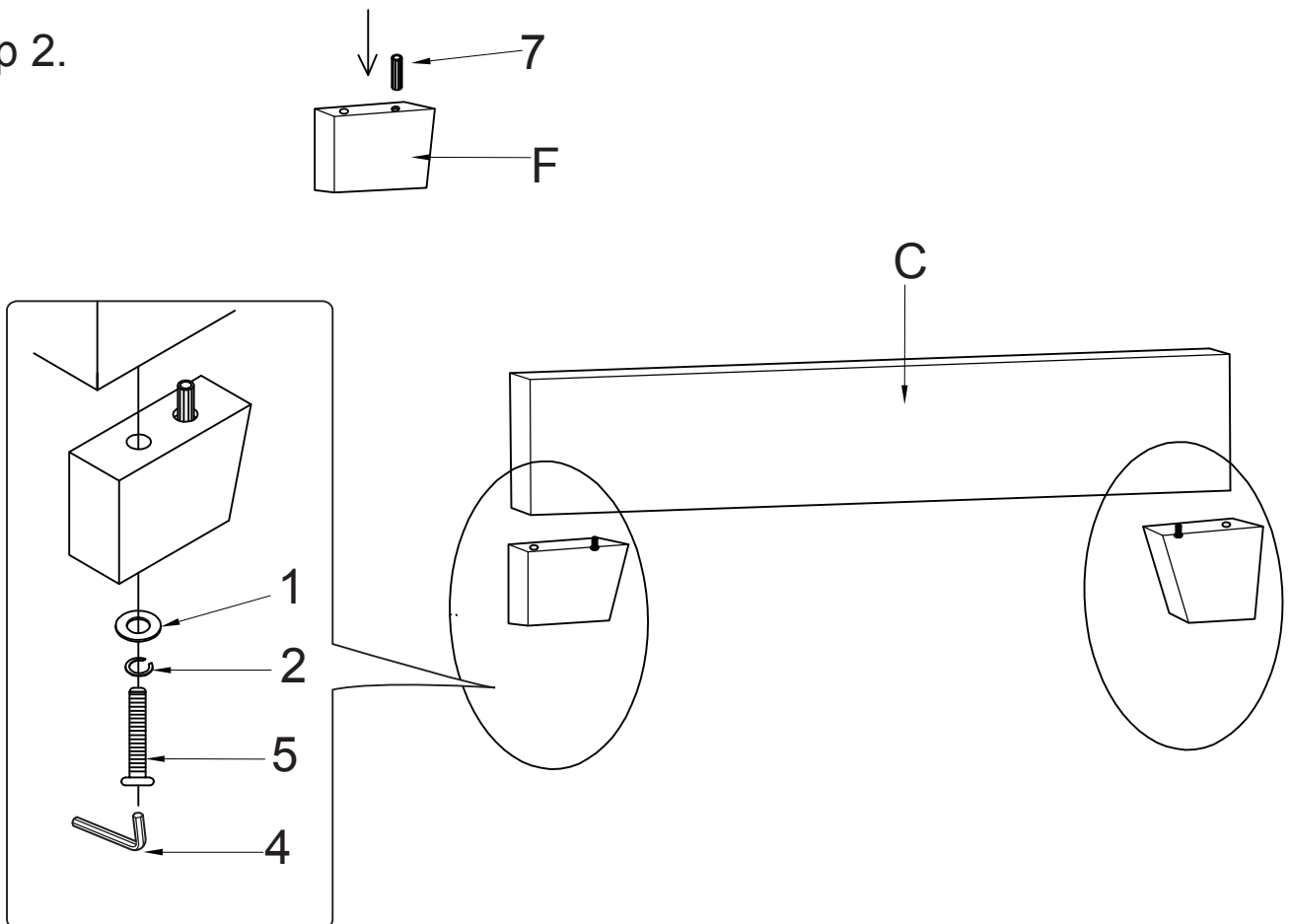
NO	SKETCH	DESCRIPTION	QTY
A		Headboard	1PC
B1		Left Wing	1PC
B2		Right Wing	1PC
C		Footboard	1PC
D		Center Rail Support Leg	7PCS
E1		End Flat Slat	2PCS
E2		Middle Flat Slat	1PC
F		Footboard Leg	2PCS
G1		Left Side Rail	1PC
G2		Right Side Rail	1PC



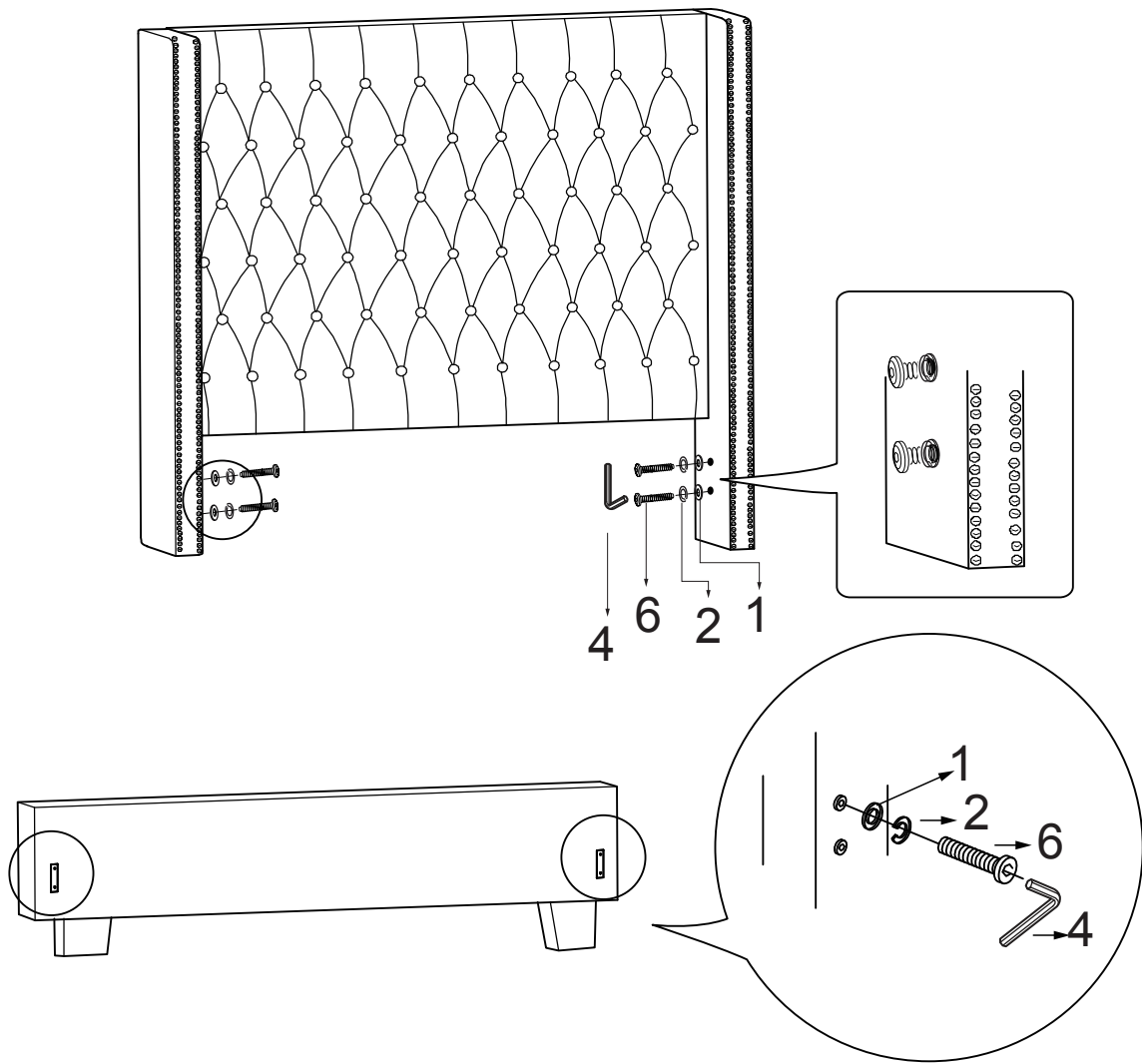
Step 1.



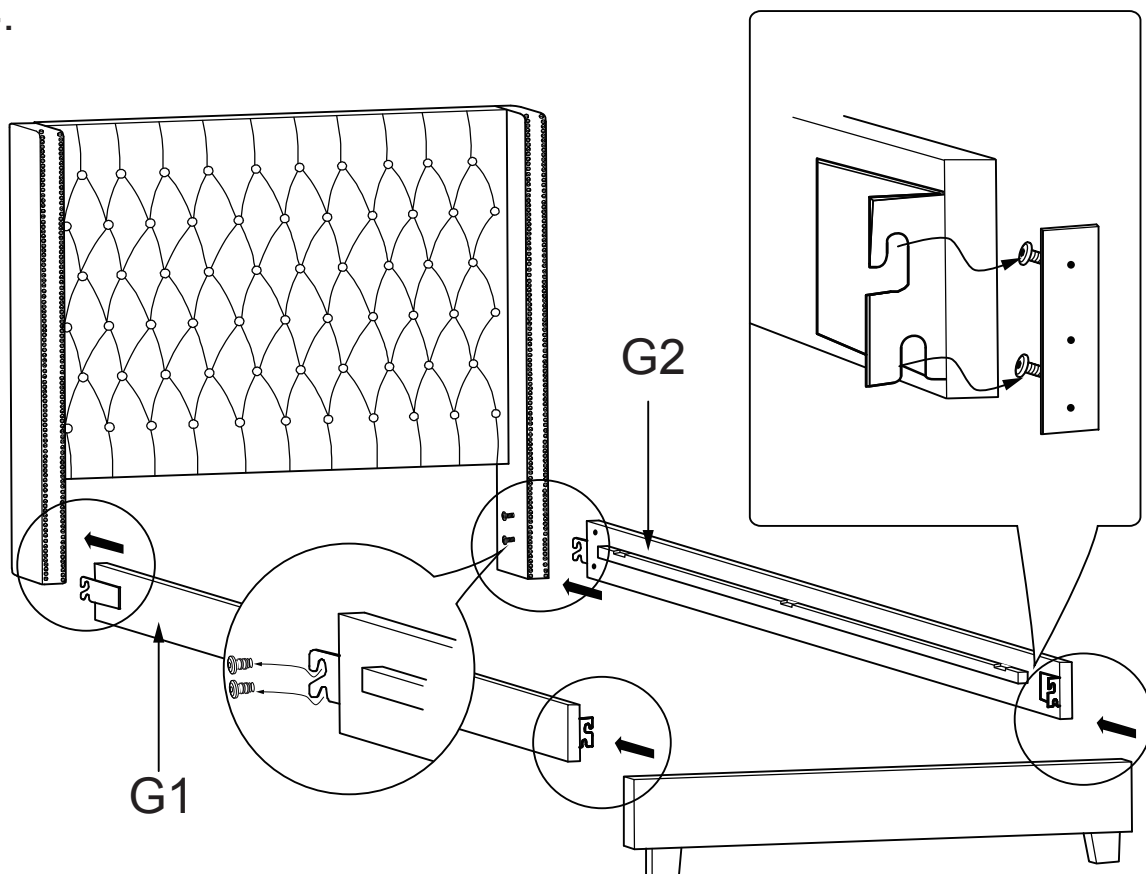
Step 2.



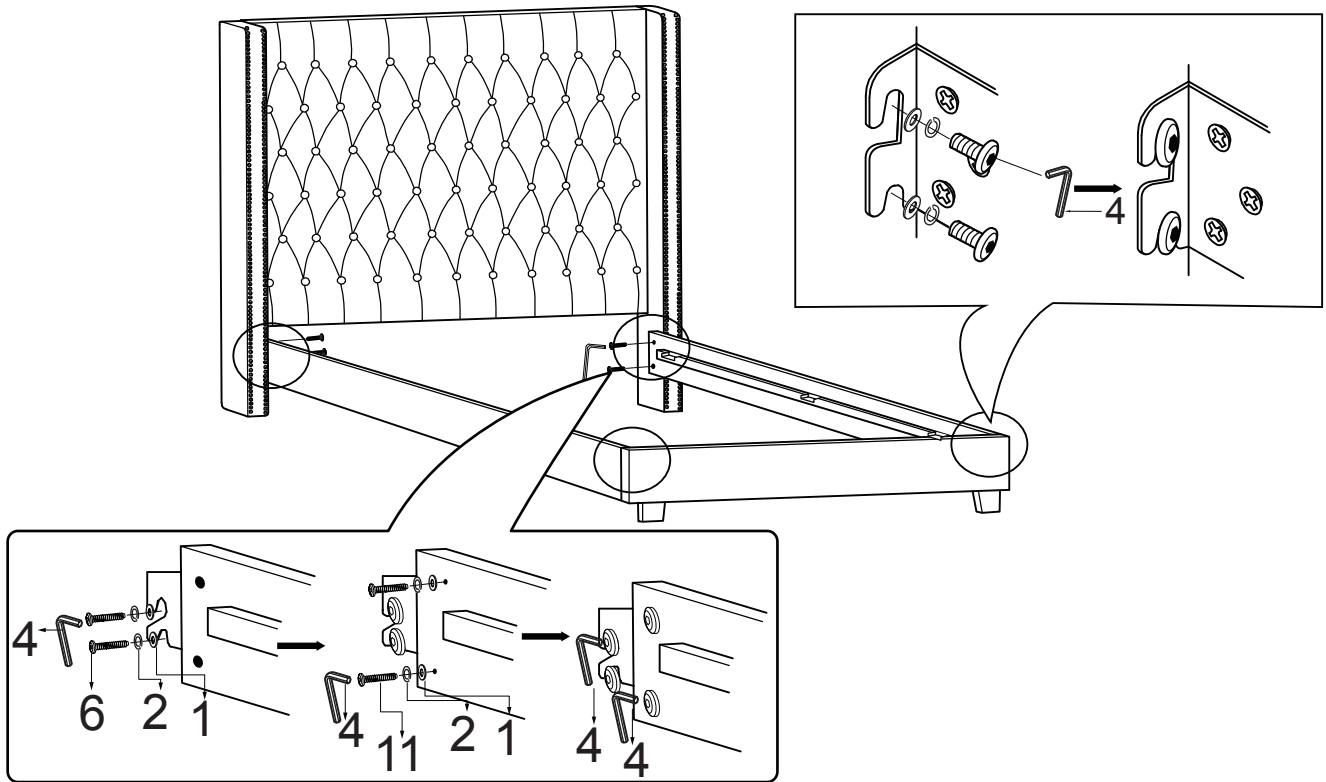
Step 3.



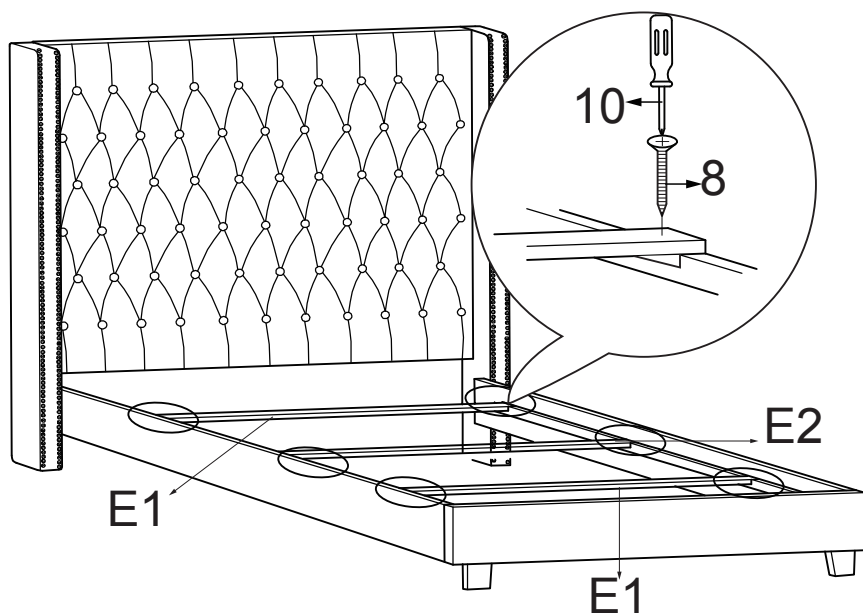
Step 4.



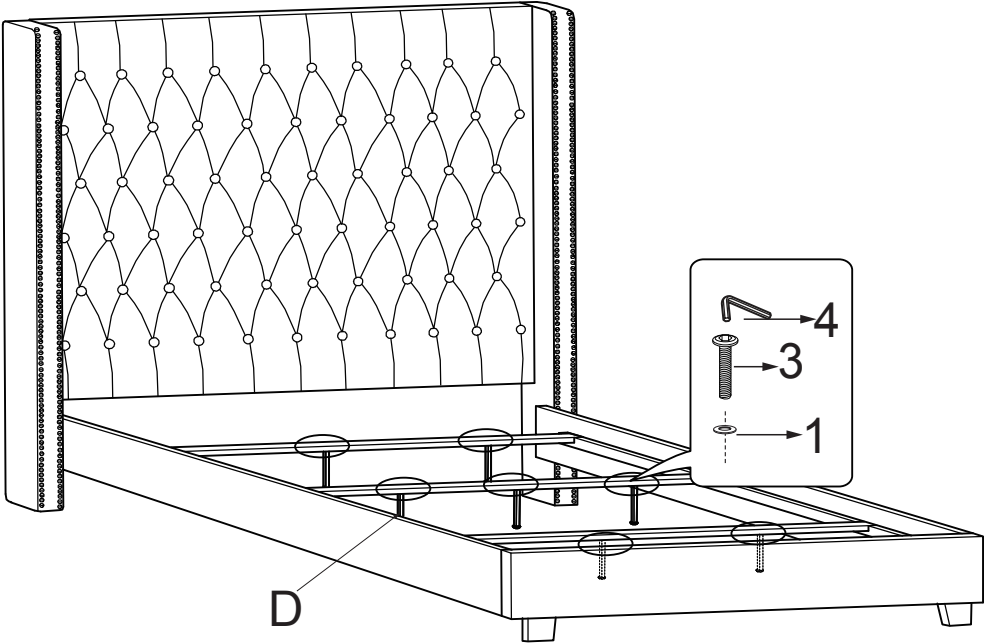
Step 5.



Step 6.



Step 7.



Step 8.

