

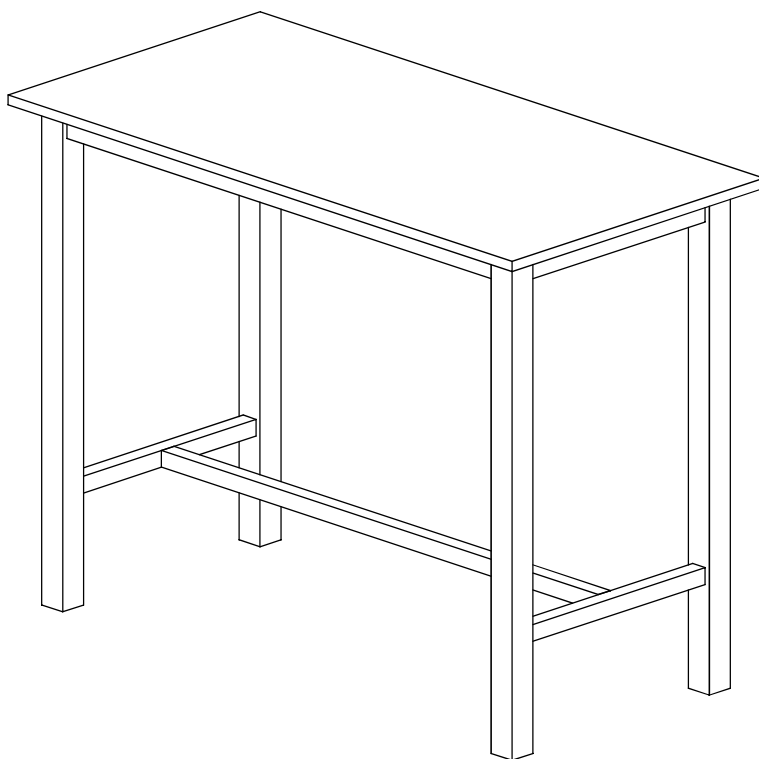


# Boraam Industries

ASSEMBLY INSTRUCTIONS

**SKU: 75026,75126,75226**

**SONOMA PUB TABLE**



Have questions about assembling your item?



Items or parts damaged?



Missing a part?

**We're here to help! (Monday-Friday from 9am-5pm CST)**



847-949-6300  
877-267-2261

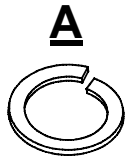


customerservice@  
boraamindustries.com

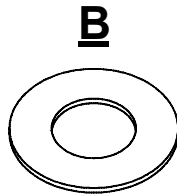


[www.boraamindustries.com](http://www.boraamindustries.com)

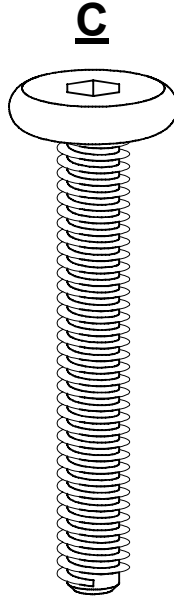
Phillips  
Screwdriver  
(Not provided)



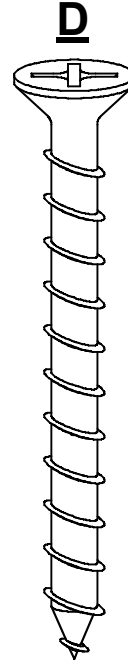
**A**  
Spring Washer  
8 PCS



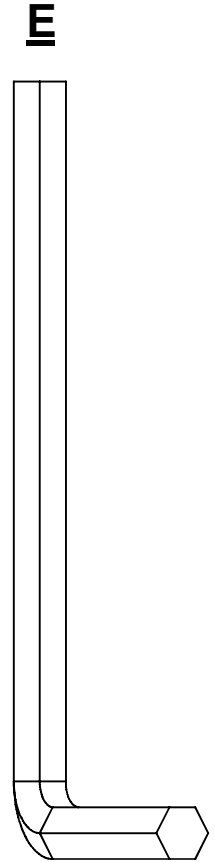
**B**  
Flat Washer  
8 PCS



**C**  
M8\*70  
8 PCS

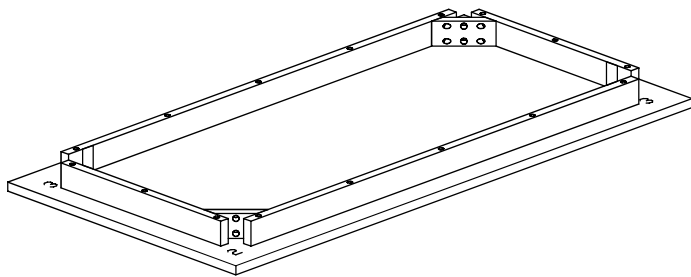


**D**  
M4\*50  
6 PCS

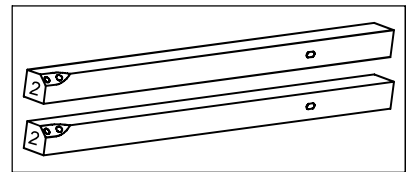


**E**  
1 PC

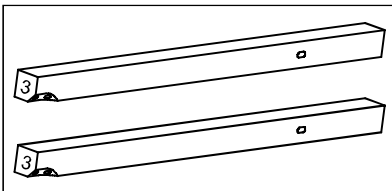
1



2



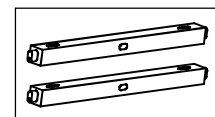
3



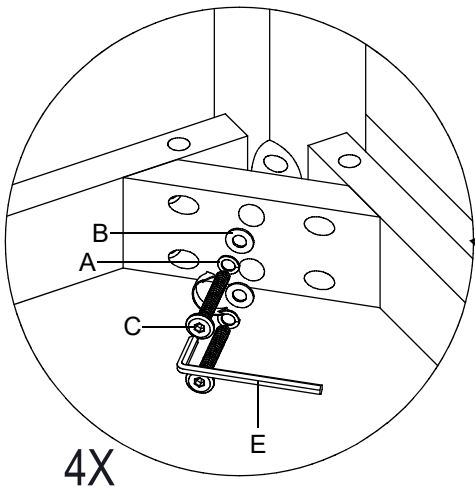
4



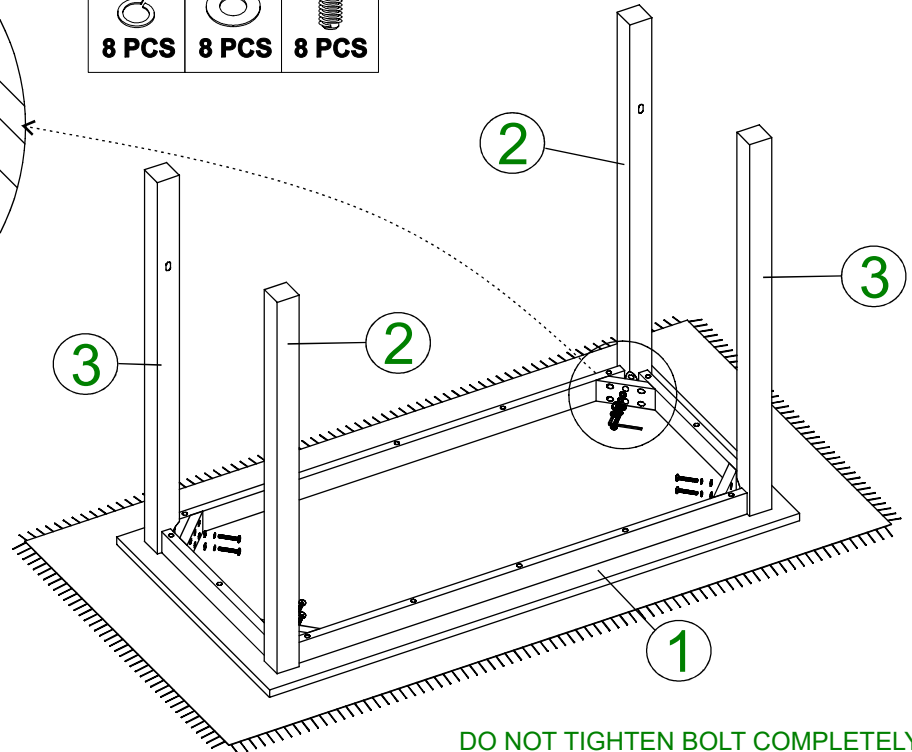
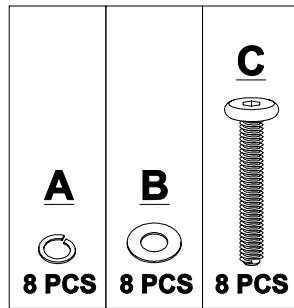
5



# 01

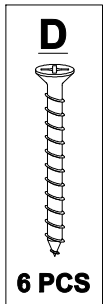


4X

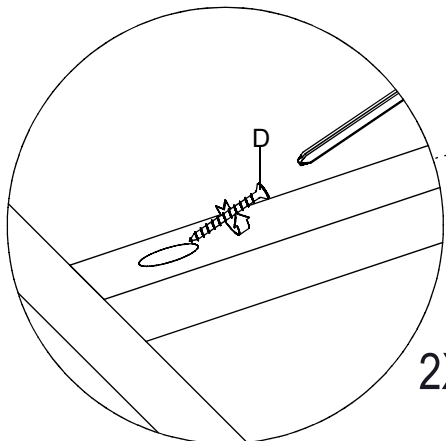
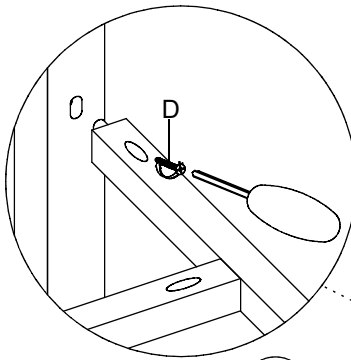


DO NOT TIGHTEN BOLT COMPLETELY.

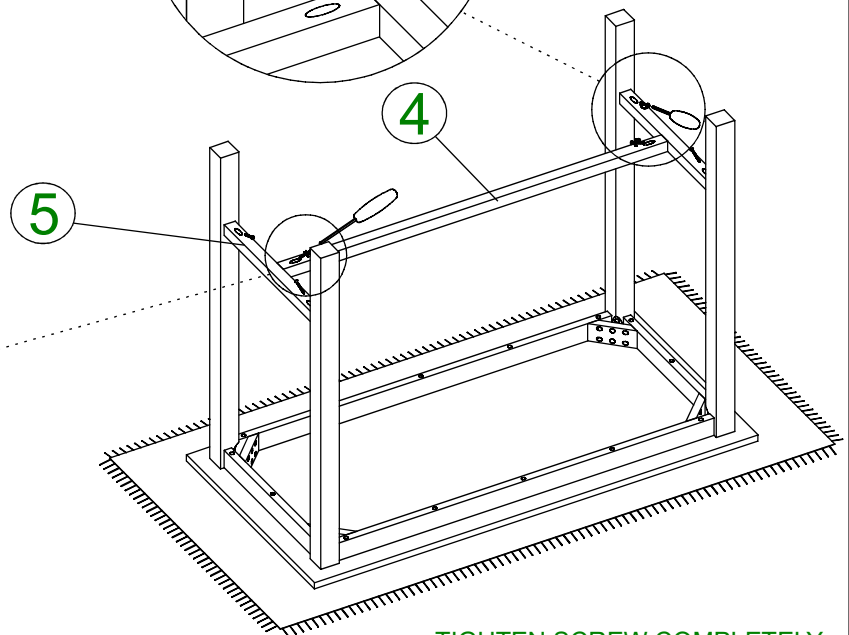
# 02



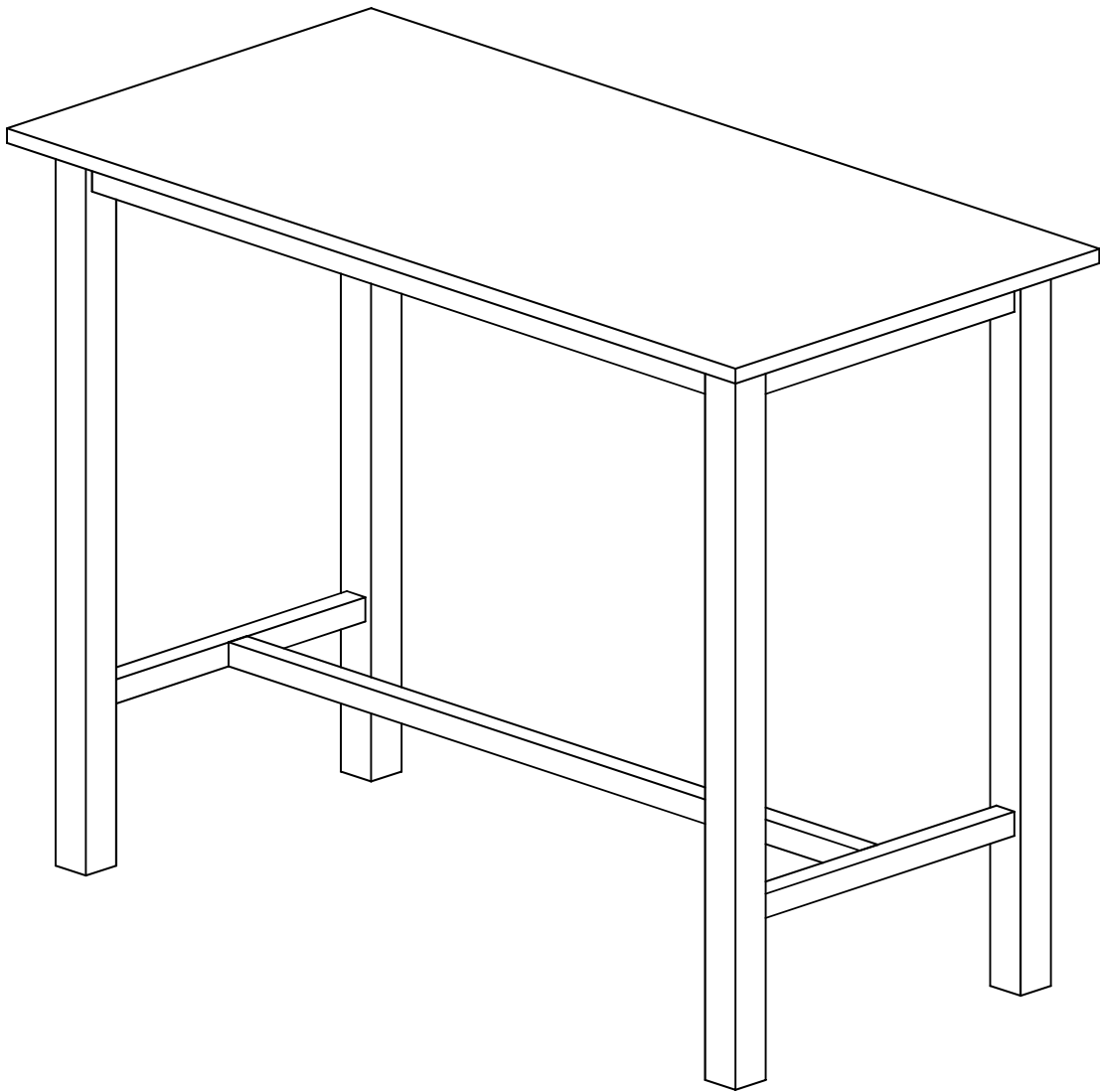
4X



2X



TIGHTEN SCREW COMPLETELY.



BE SURE TO CHECK ALL BOLTS ARE SECURELY  
TIGHTENED PRIOR USING THIS TABLE.

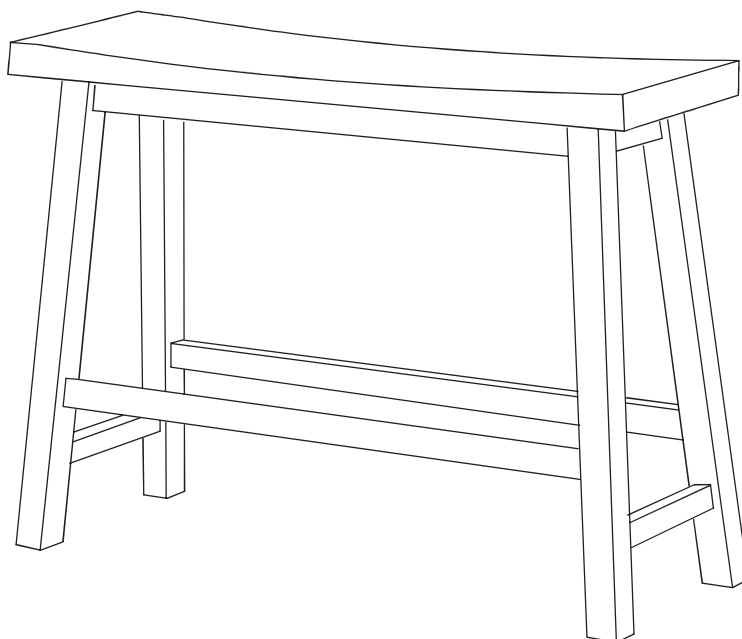


# Boraam Industries

ASSEMBLY INSTRUCTIONS

**SKU: 75025,75125,75225**

## **SONOMA BENCH**



Have questions about assembling your item?



Items or parts damaged?



Missing a part?

**We're here to help! (Monday-Friday from 9am-5pm CST)**



847-949-6300  
877-267-2261



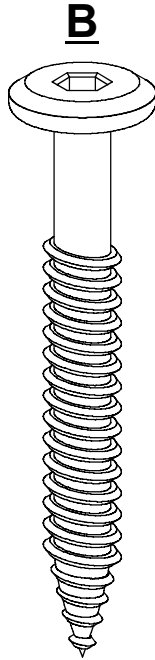
customerservice@  
boraamindustries.com



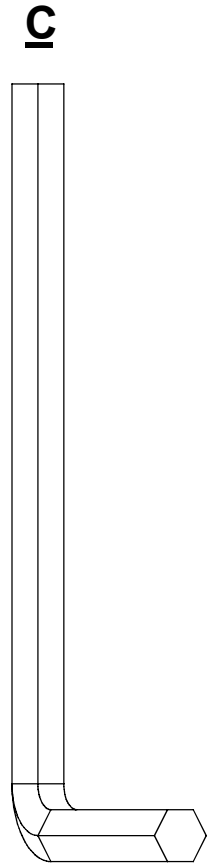
[www.boraamindustries.com](http://www.boraamindustries.com)



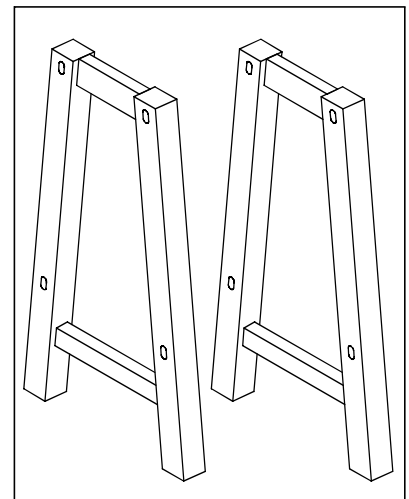
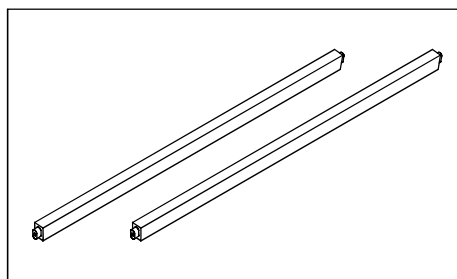
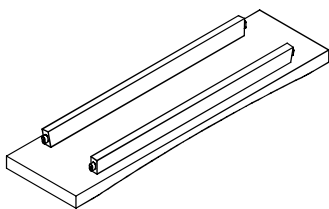
**Wood Nut**  
**8 PCS**



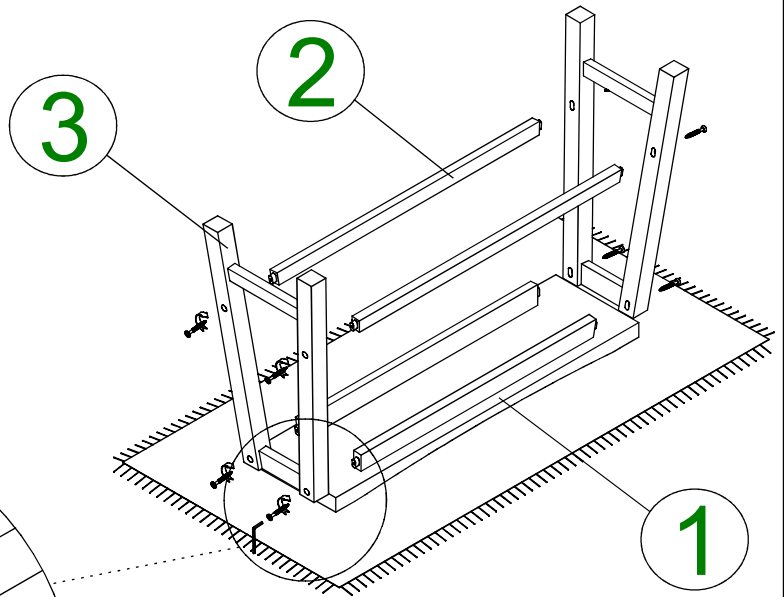
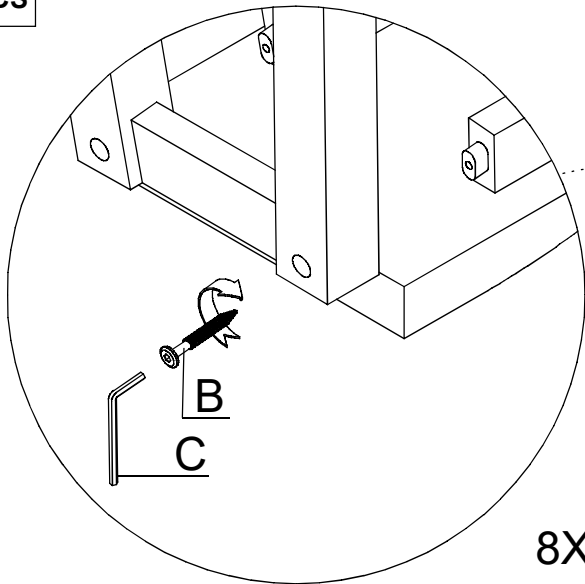
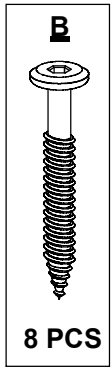
**M6\*50**  
**8 PCS**



**1 PC**

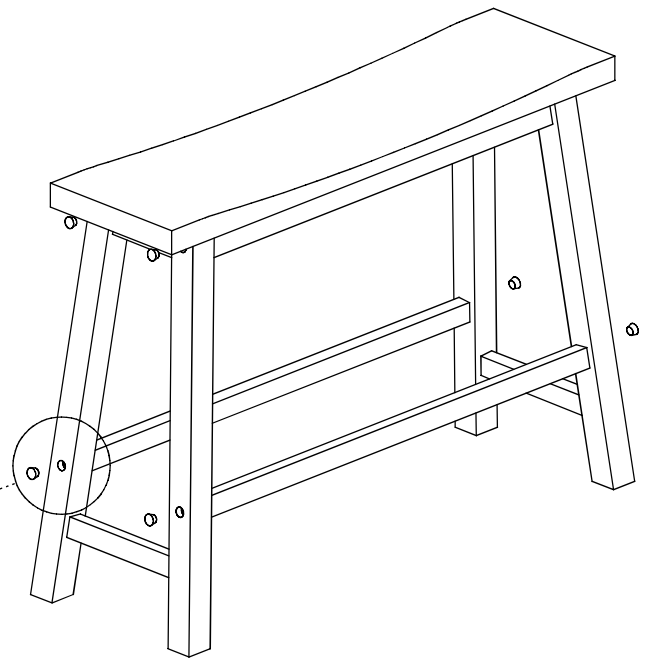
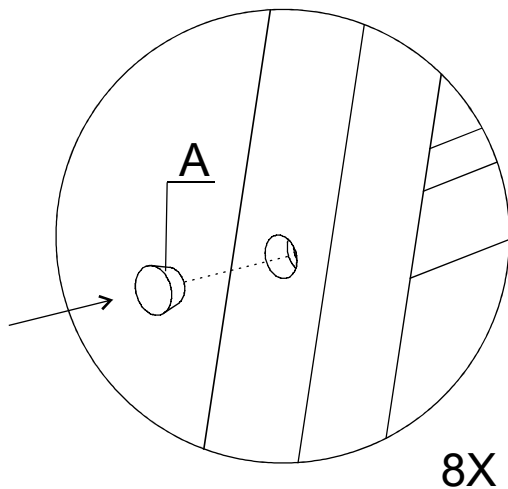
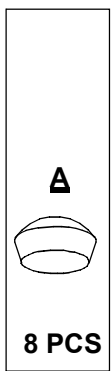


# 01

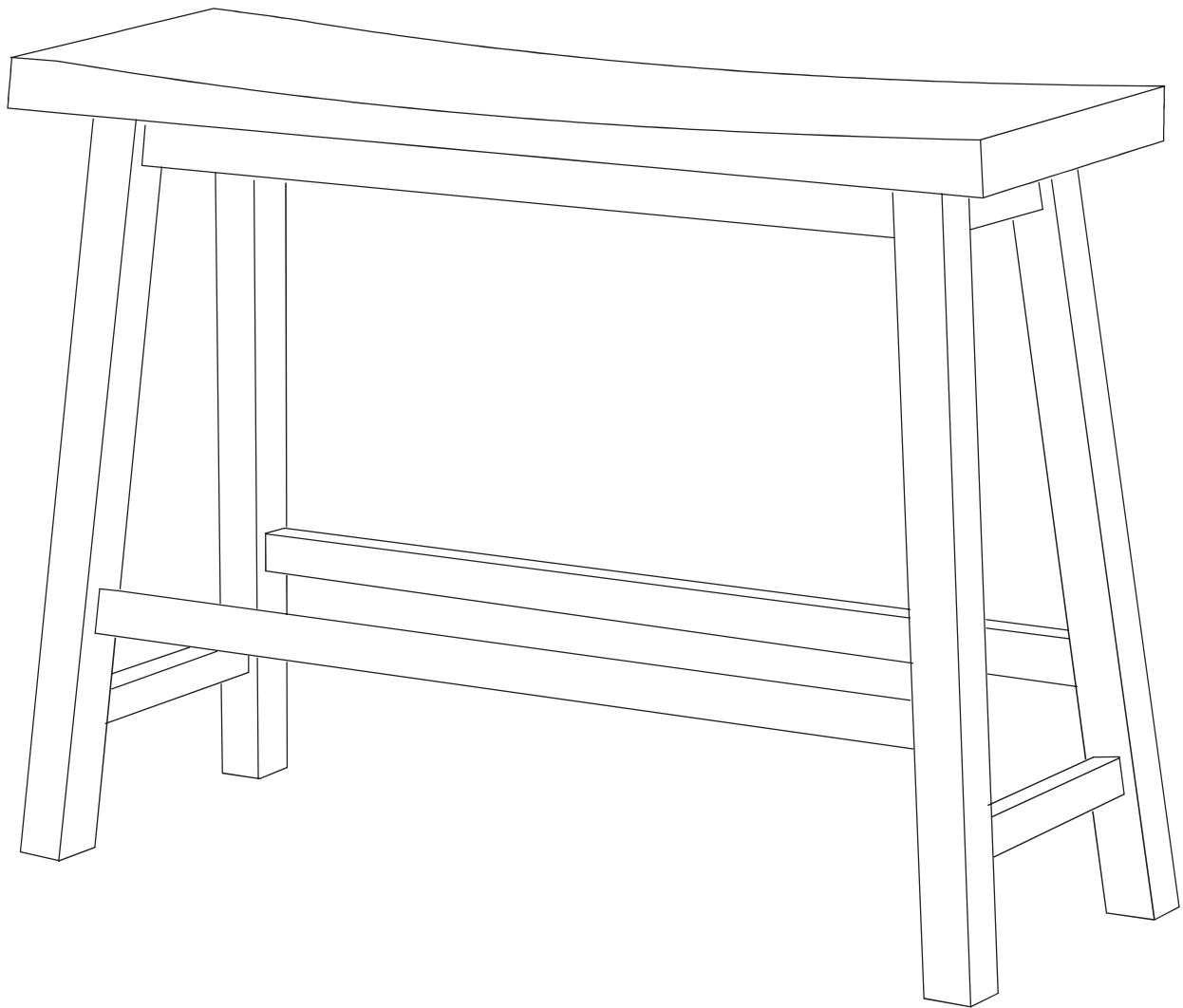


TIGHTEN BOLT COMPLETELY.

# 02



# 03



BE SURE TO CHECK ALL BOLTS ARE SECURELY  
TIGHTENED PRIOR USING THIS BENCH.





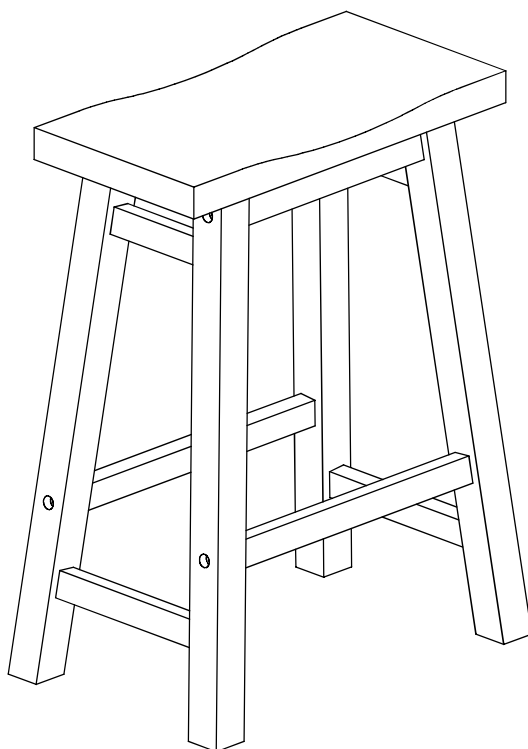
# Boraam Industries

ASSEMBLY INSTRUCTIONS

**SKU: 75024,75029,75124,75129,75224,75229**

**75524,75529,75624,75629,75324,75329,75318**

## SONOMA SADDLE STOOL



Version 1 / Updated as of 11/09/23



Have questions about assembling your item?



Items or parts damaged?



Missing a part?

**We're here to help! (Monday-Friday from 9am-5pm CST)**



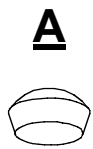
847-949-6300  
877-267-2261



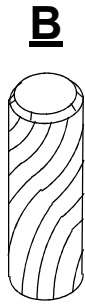
customerservice@  
boraamindustries.com



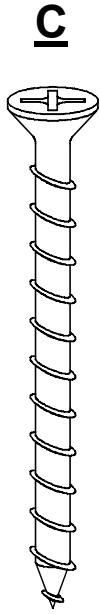
www.boraamindustries.com



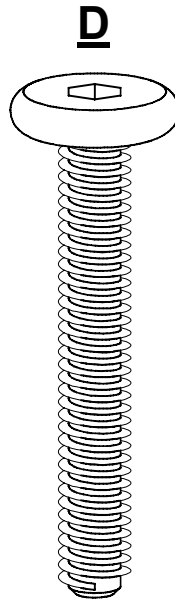
**Wood Nut**  
8 PCS



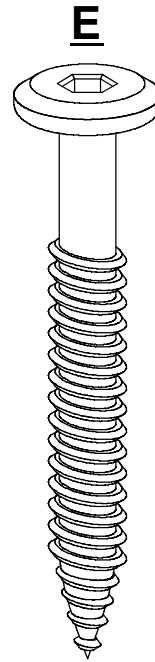
**Wood Dowel**  
2 PCS



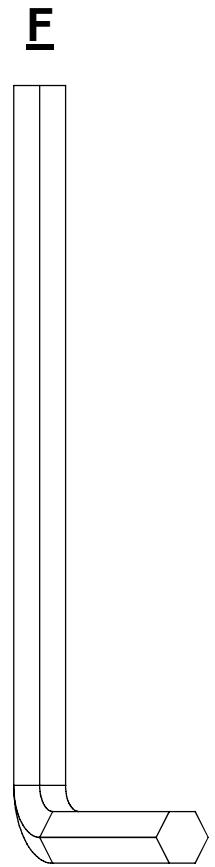
**M4\*40**  
8 PCS



**M6\*40**  
4 PCS

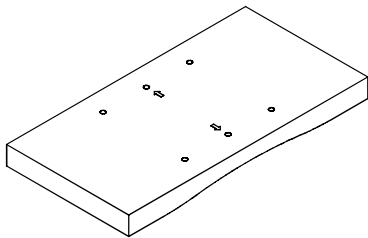


**M6\*50**  
8 PCS

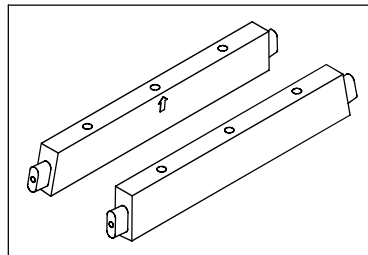


**1 PC**

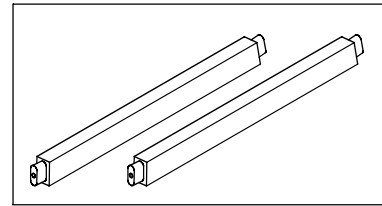
1



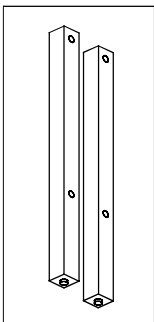
2



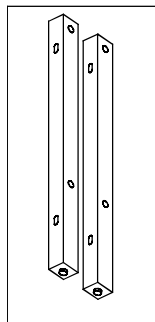
3



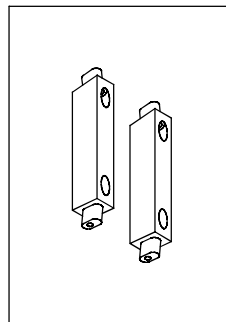
4



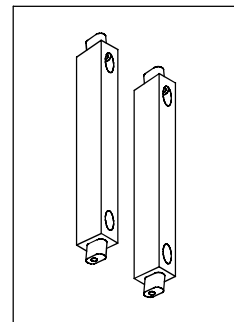
5



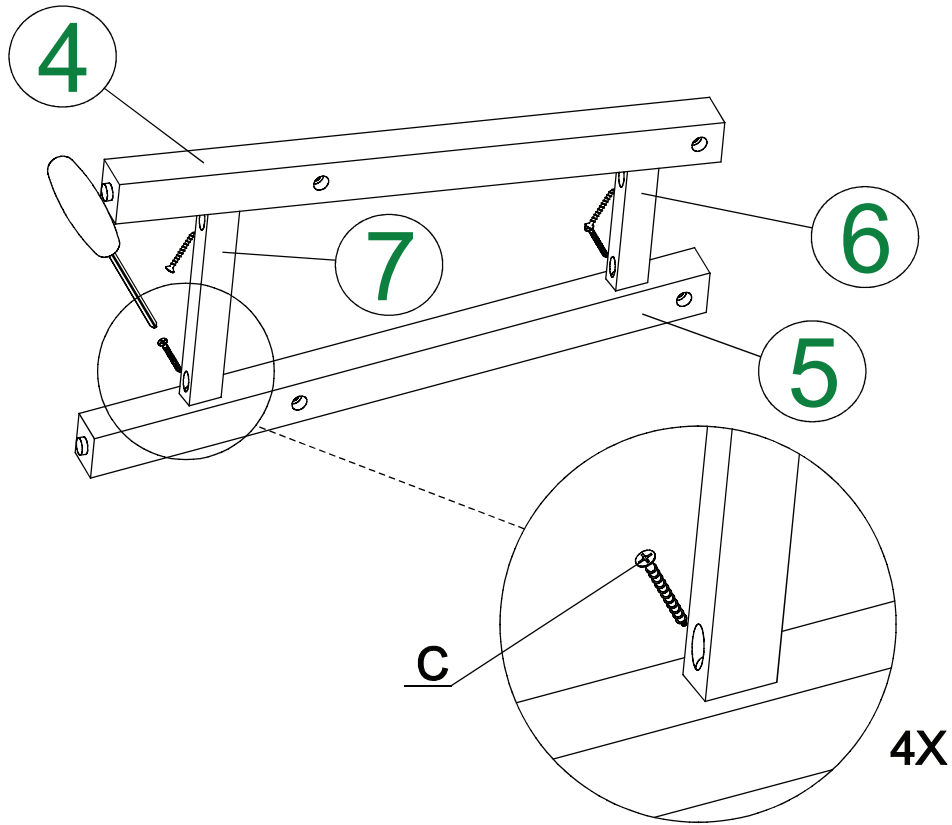
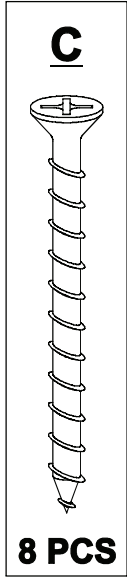
6



7



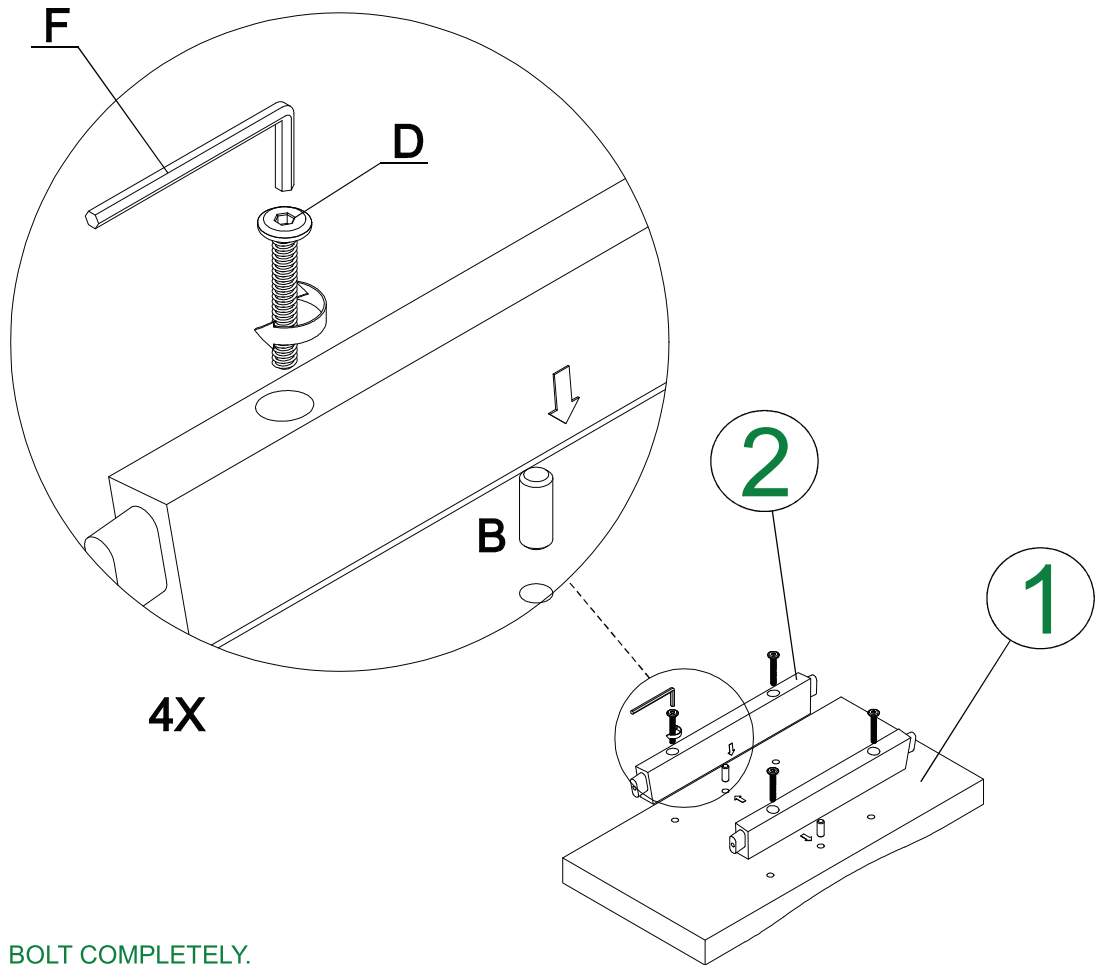
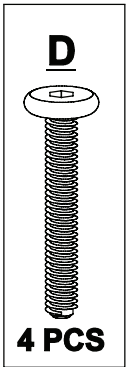
# 01



Scan the QR code for a video explaining this step.

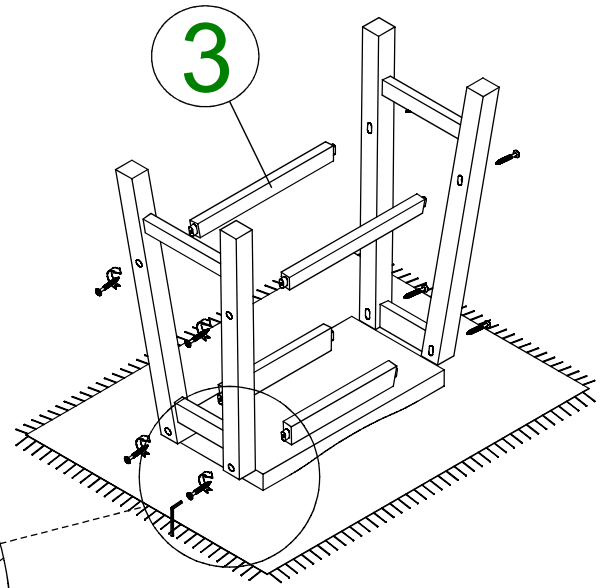
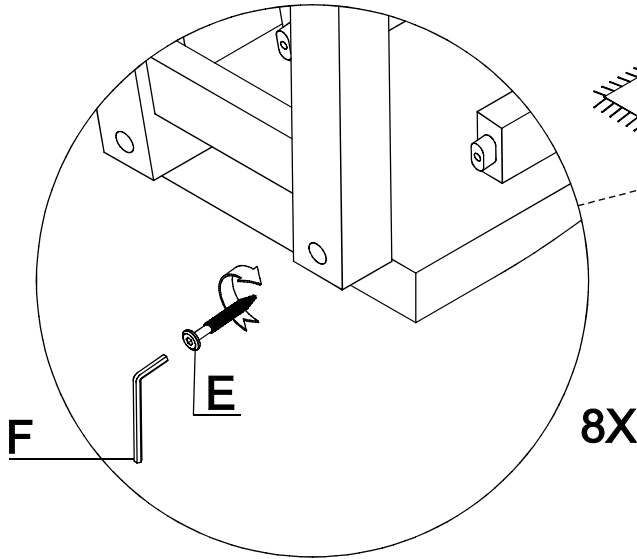
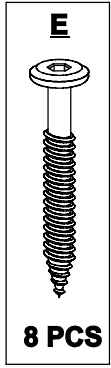
TIGHTEN BOLT COMPLETELY.

# 02



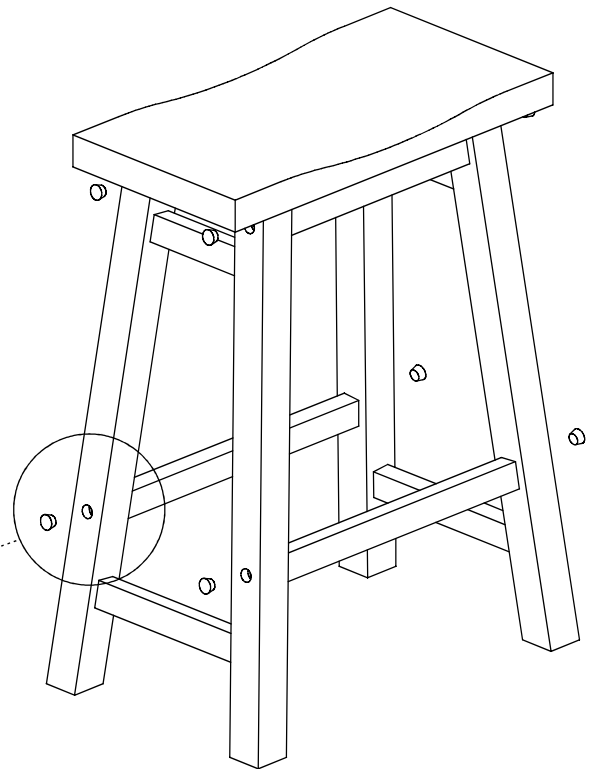
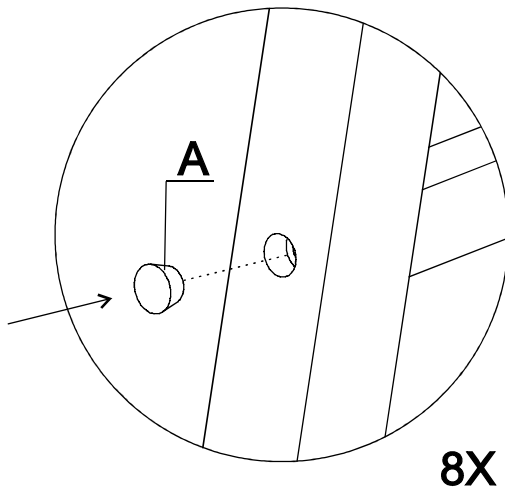
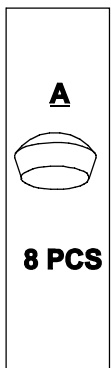
DO NOT TIGHTEN BOLT COMPLETELY.

# 03



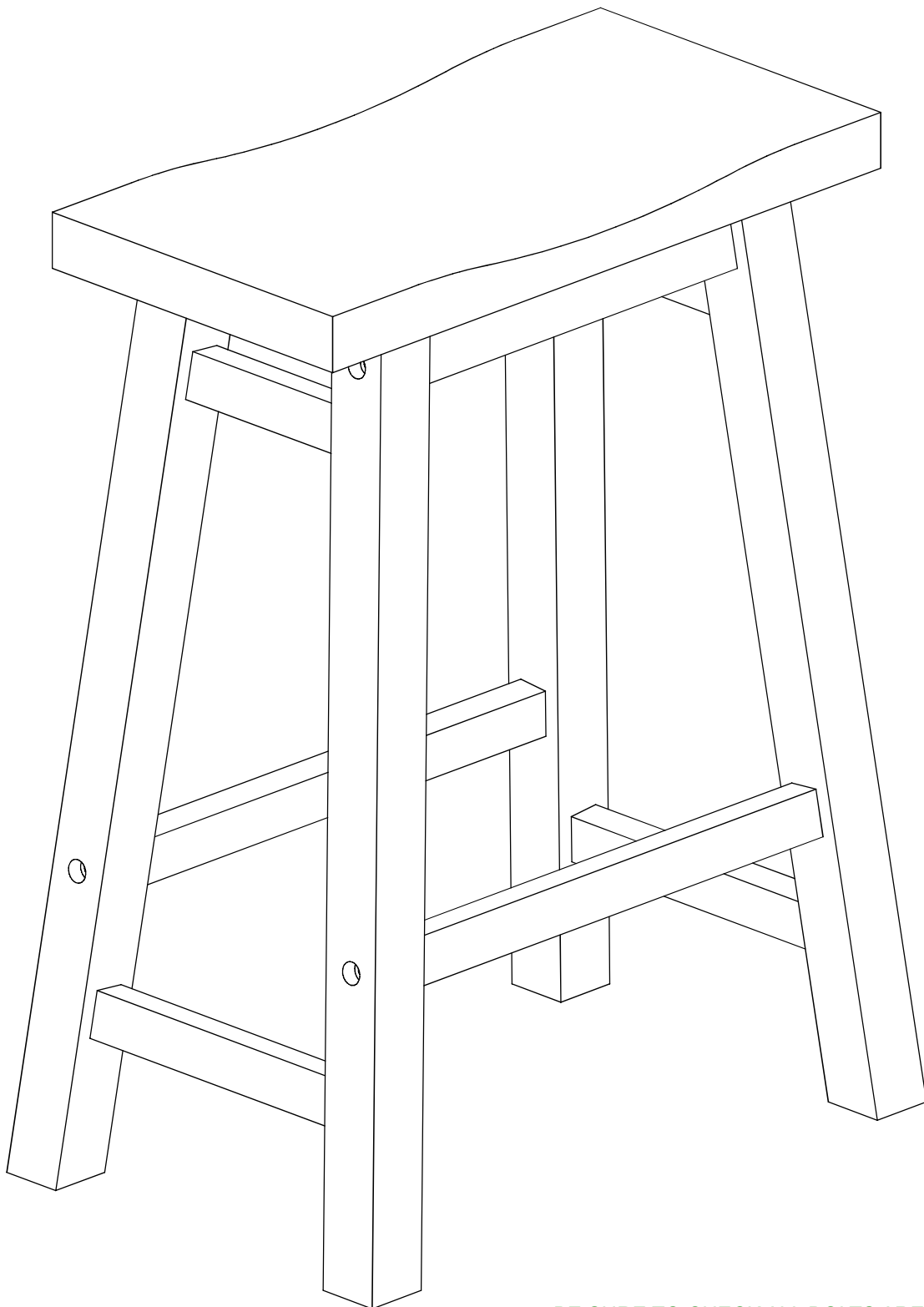
TIGHTEN BOLT COMPLETELY.

# 04



TIGHTEN BOLT COMPLETELY.

# 05



BE SURE TO CHECK ALL BOLTS ARE SECURELY  
TIGHTENED PRIOR USING THIS STOOL.

Updated as of 11/06/23

847-949-6300 | 877-267-2261 | [customerservice@boraamindustries.com](mailto:customerservice@boraamindustries.com)