



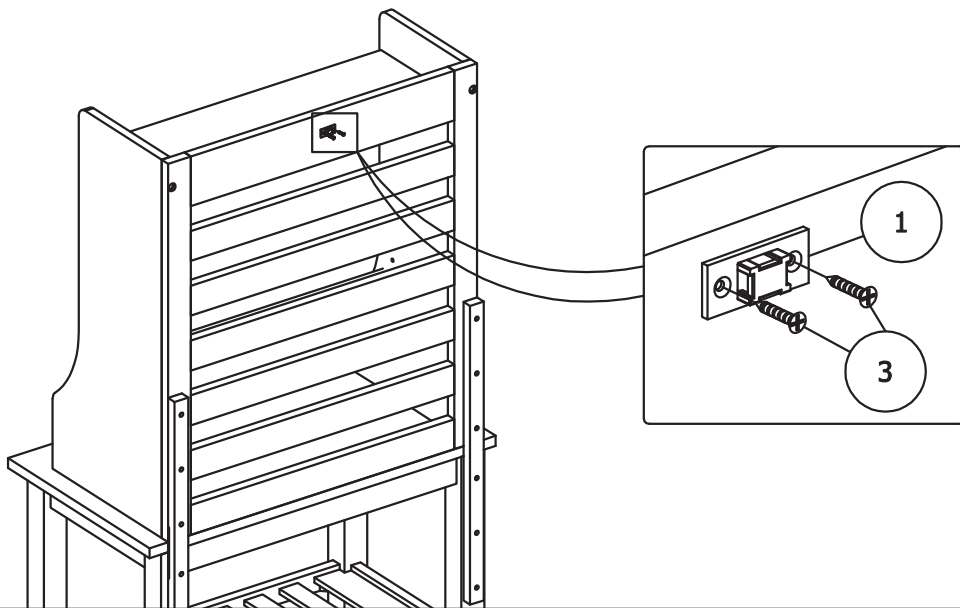
# Boraam Industries

## WALL STUD - SAFETY BRACKET

### ASSEMBLY INSTRUCTIONS

| No | Qty   | Description     | No | Qty   | Description          |
|----|-------|-----------------|----|-------|----------------------|
| 1  | 2 pcs | Plastic bracket | 3  | 2 pcs | Short screw 4 x 15mm |
| 2  | 1 pc  | Plastic strap   | 4  | 2 pcs | Long screw 4 x 30mm  |

#### STEP 1



#### STEP 2

