



Boraam Industries

LUMI SWIVEL STOOL

Assembly Instructions

- Tools Included
- Do not throw away packing materials until assembly is complete
- Assemble this item on a soft, clean surface to protect the product
- Proper assembly requires 2 People
- Make sure all parts are included prior to assembling

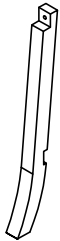
PARTS LIST

NO.	DESCRIPTION	QTY'
A	Chair Leg	4 Pcs
B	Footrest	1 Pc
C	Apron with Swivel Plate	1 Pc
D	Seat Cushion	1 Pc

HARDWARE LIST

NO.	DESCRIPTION	SKETCH	QTY'
1	JCBC Bolt M6x25		4 Pcs
2	JCBC Bolt M6x40		8 Pcs
3	Spring Washer		8 Pcs
4	Flat Washer		12 Pcs
5	Allen Wrench M4		1 Pc

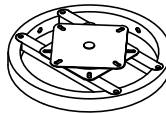
A



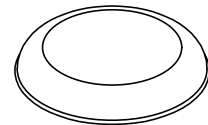
B



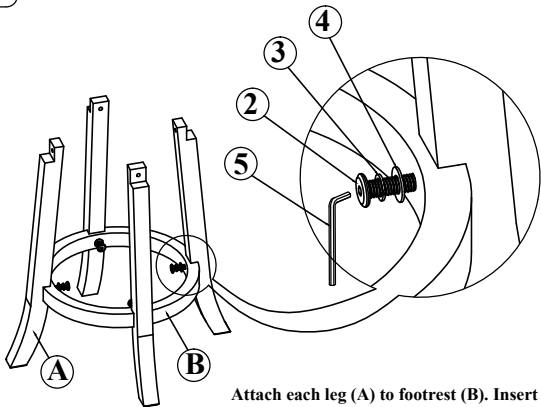
C



D

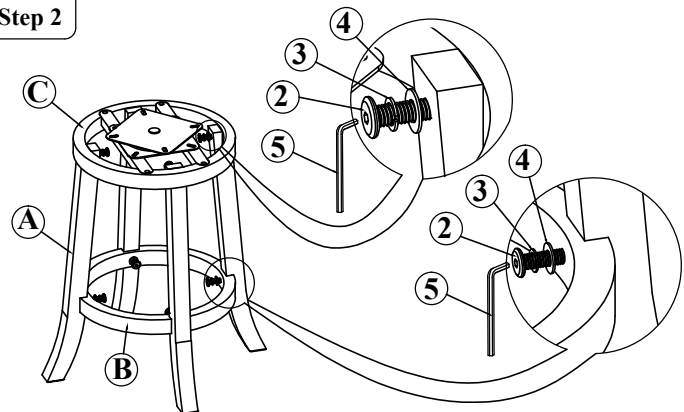


Step 1



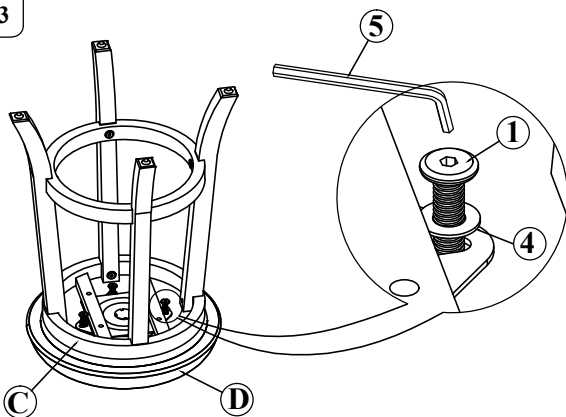
Attach each leg (A) to footrest (B). Insert each individual set of hardware as per picture show. Do not tight up any hardware completely.

Step 2

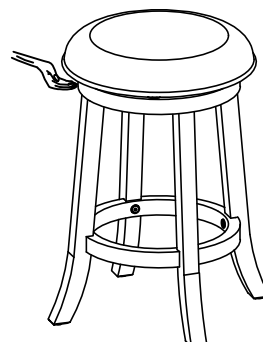


Attach each leg (A) to apron (D). Insert each individual set per picture show. Then tight up 4 legs with apron first, then tight up footrest with 4 legs completely.

Step 3



ASSEMBLY COMPLETE



⚠ CAUTION: Do not put finger into seat gap.