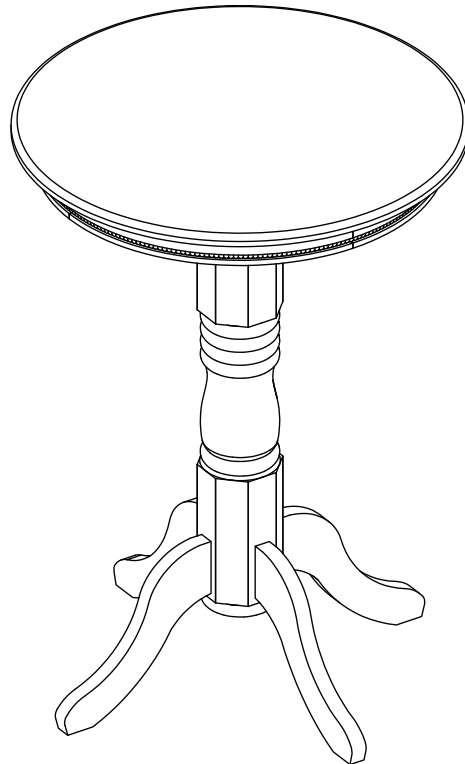




# Boraam Industries

ASSEMBLY INSTRUCTIONS

SKU: 70365,70366,70364 | SPECTATOR PUB TABLE



Weight Capacity

Version 1 / Updated as of 11-17-23



Have questions about assembling your item?



Items or parts damaged?



Missing a part?

**We're here to help! (Monday-Friday from 9am-5pm CST)**



847-949-6300  
877-267-2261



customerservice@  
boraamindustries.com



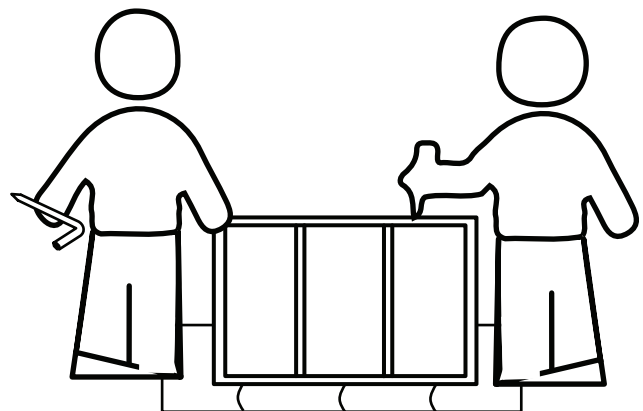
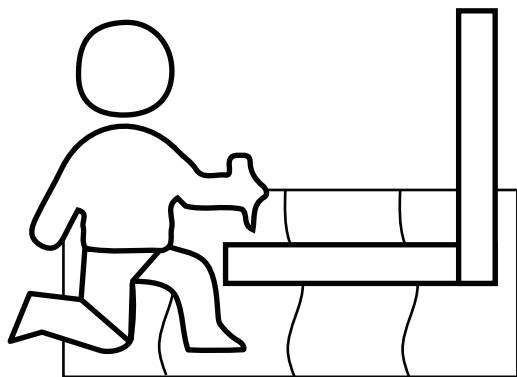
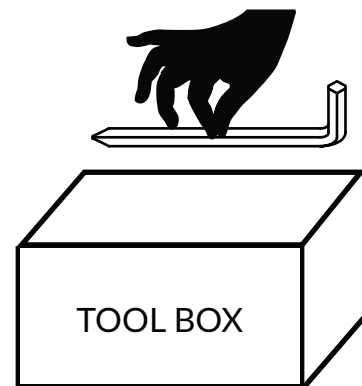
www.boraamindustries.com



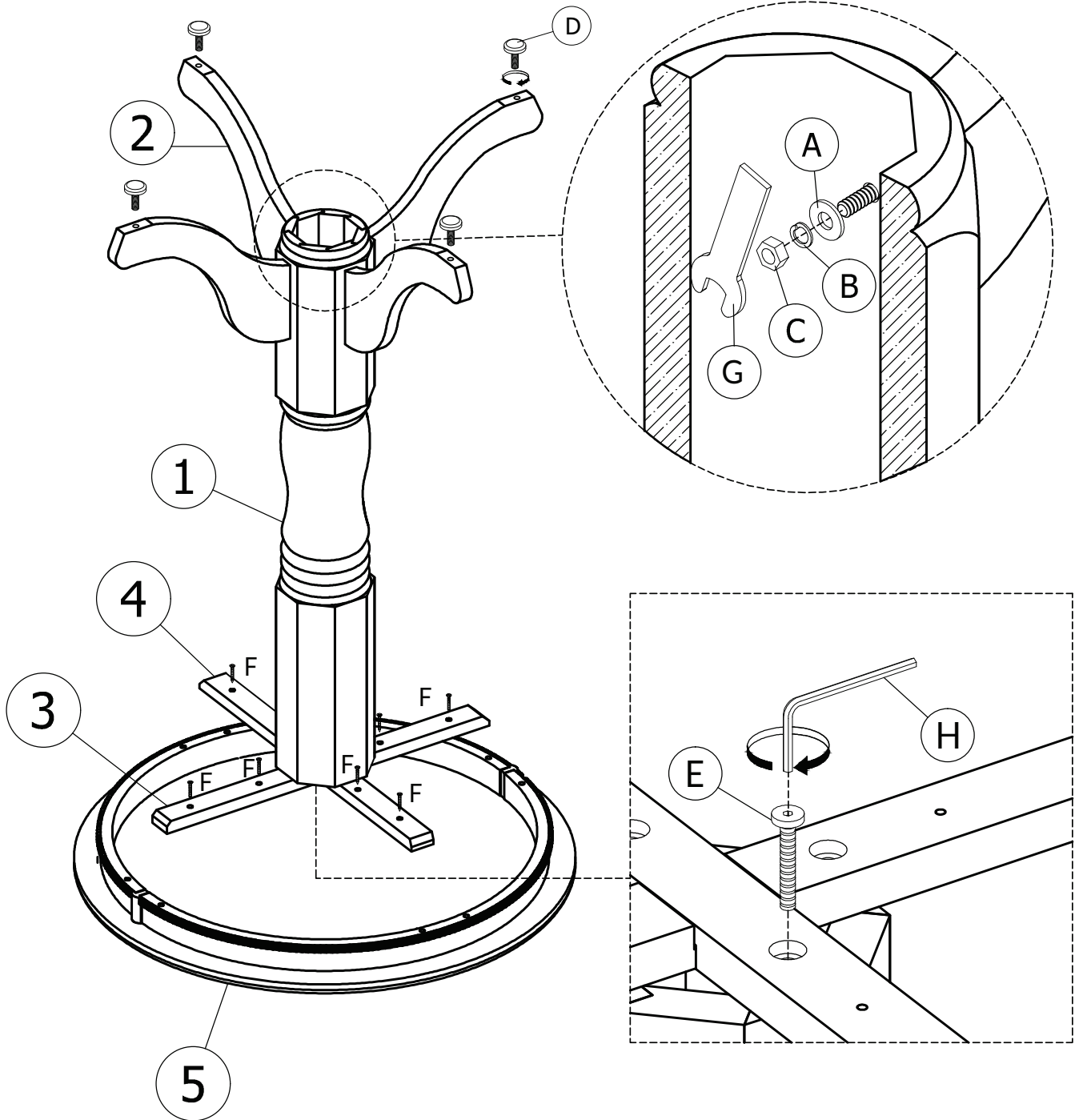
Philips screwdriver  
not included.

# Assembly And Care

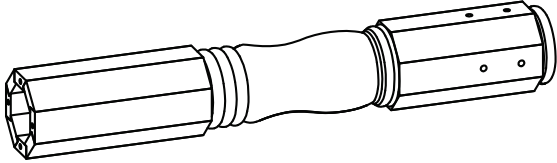


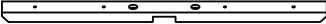

- All tools required for assembly are included unless noted.
- Prior to assembly, check for missing or damaged parts.
- Do not dispose of packaging materials until assembly is completed.
- Assemble item on a soft, clean surface to prevent damage to the item.



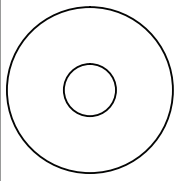

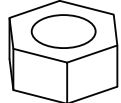
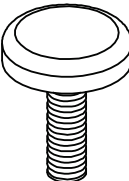
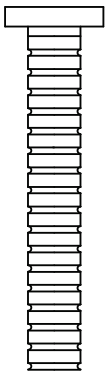
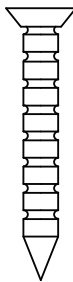
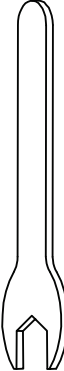

# Assembly Overview



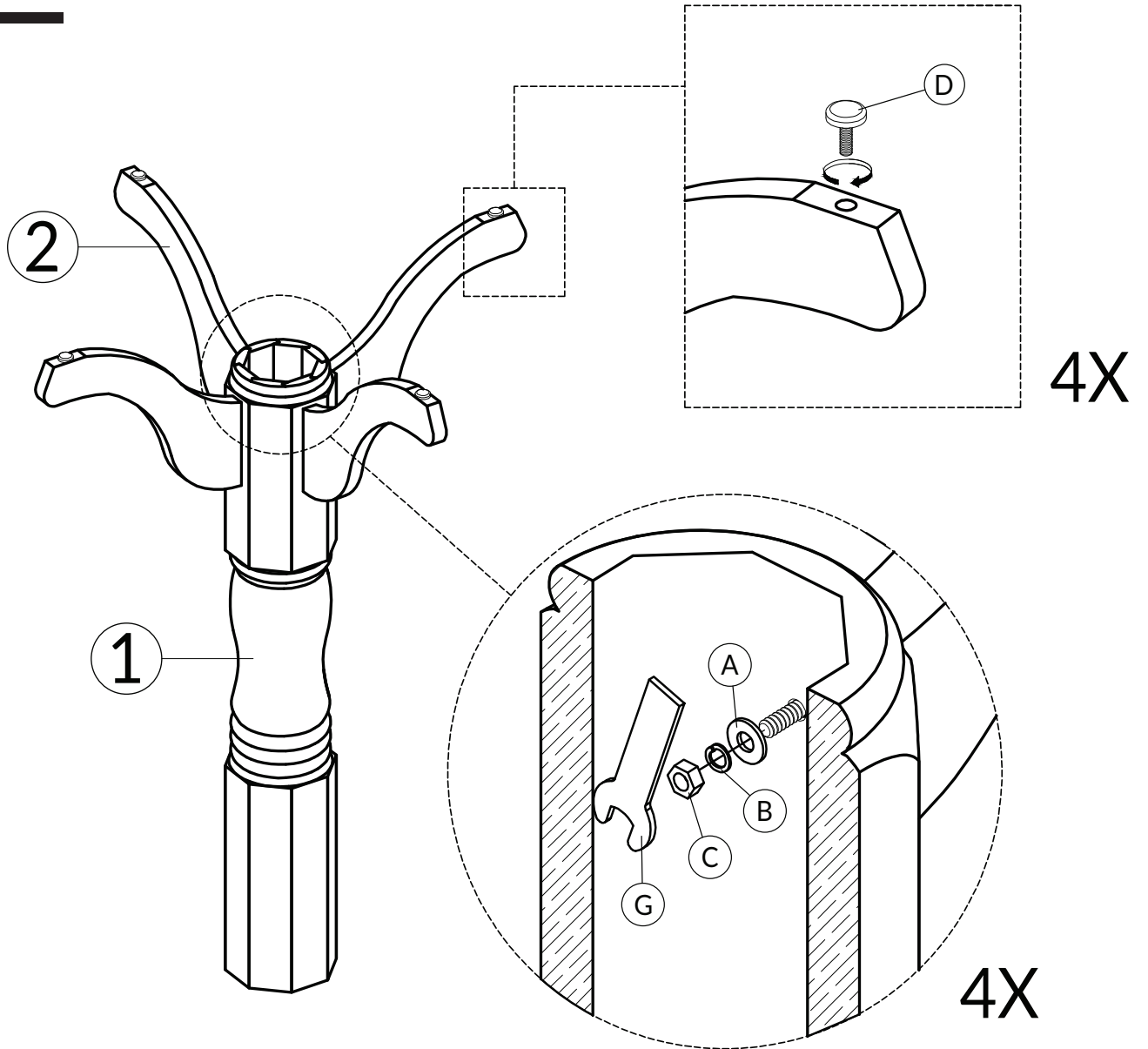
# PARTS

① (x1)		② (x4)	
<b>Pedestal :</b> 		<b>Empire Leg:</b> 	
③ (x1)	④ (x1)		⑤ (x1)
<b>Crossbar :</b> 	<b>Crossbar :</b> 		<b>Top Panel :</b> 

# HARDWARE

Ⓐ (x4)	Ⓑ (x4)	Ⓒ (x4)	Ⓓ (x4)	Ⓔ (x4)	Ⓕ (x8)	Ⓖ (x1)	Ⓗ (x1)
							
Flat Washer	Spring Washer	Nut M8*13	Adjuster	Bolt M6x40	Screw M4x30	Wrench K13*90	Allen Wrench M4*110

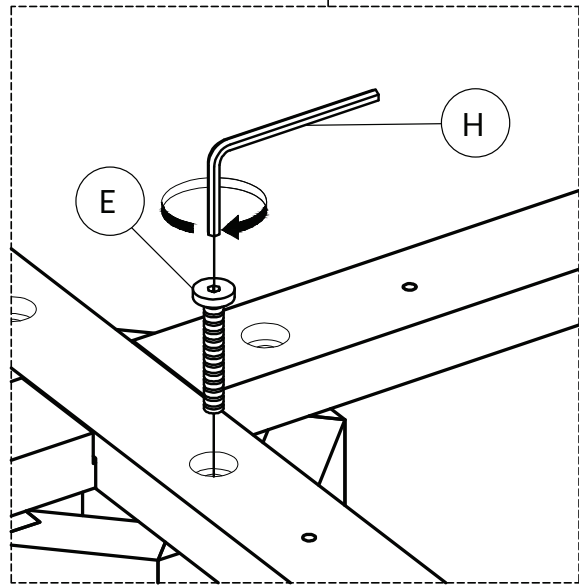
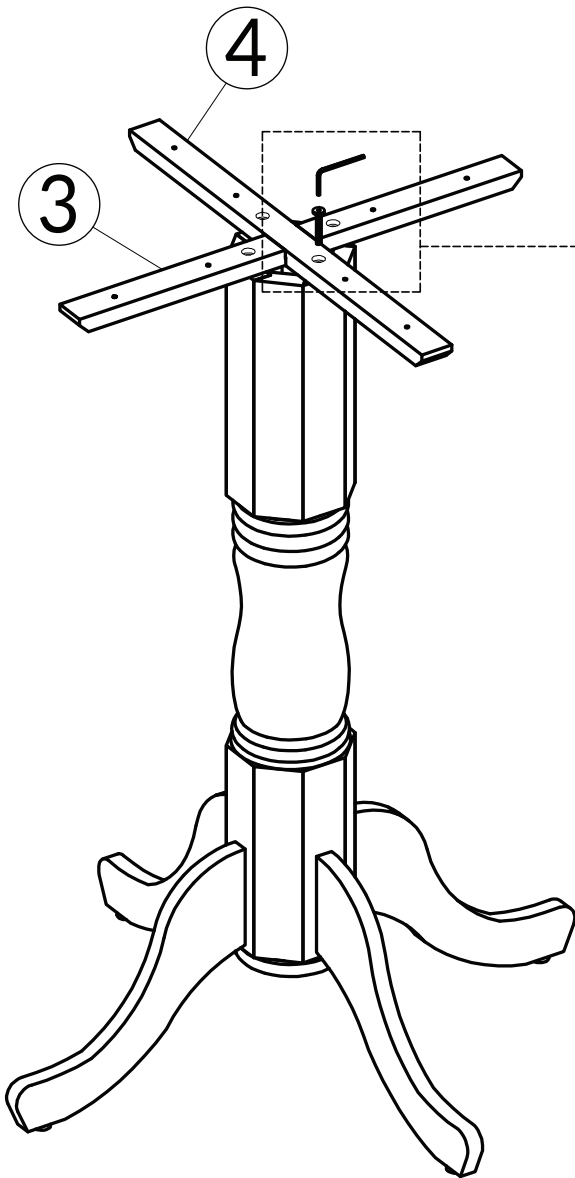
# 01



Hardware	Count
A	4
B	4
C	4
D	4
G	1

TIGHTEN HEX NUT COMPLETELY.

# 02

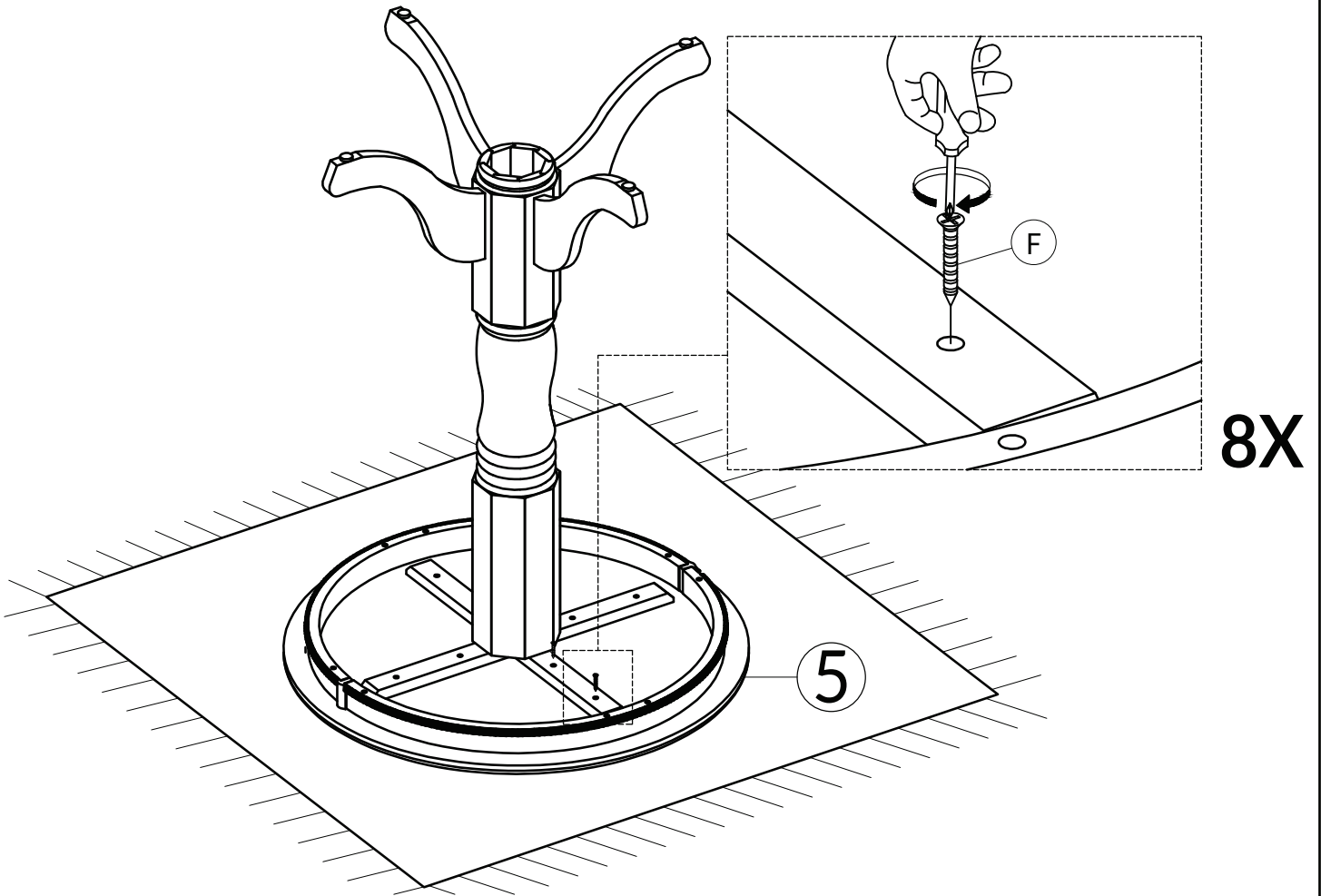


4X

Hardware	Count
E	4
H	1

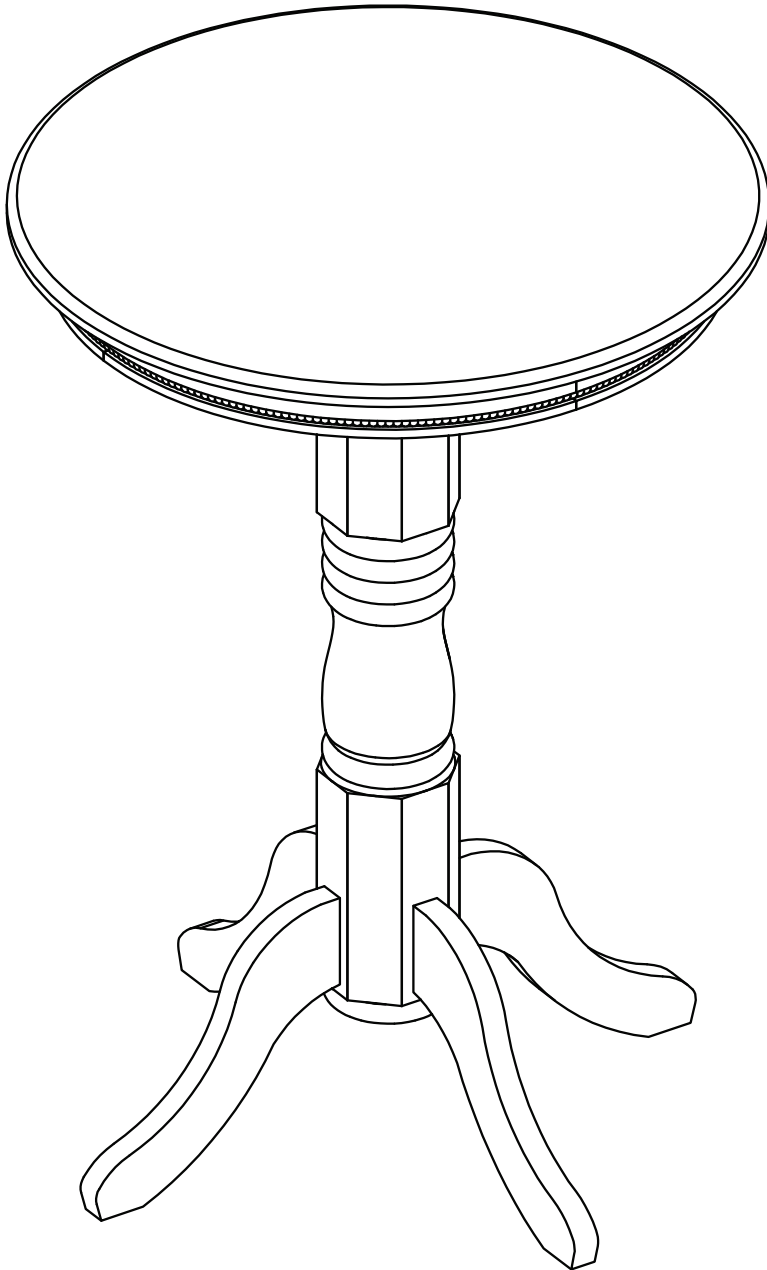
TIGHTEN BOLT COMPLETELY.

# 03



Hardware	Count
F	8

TIGHTEN SCREW COMPLETELY.



**Weight Capacity**

**BE SURE TO CHECK ALL BOLTS ARE SECURELY TIGHTENED PRIOR TO USE.**

847-949-6300 | 877-267-2261 | [customerservice@boraamindustries.com](mailto:customerservice@boraamindustries.com)