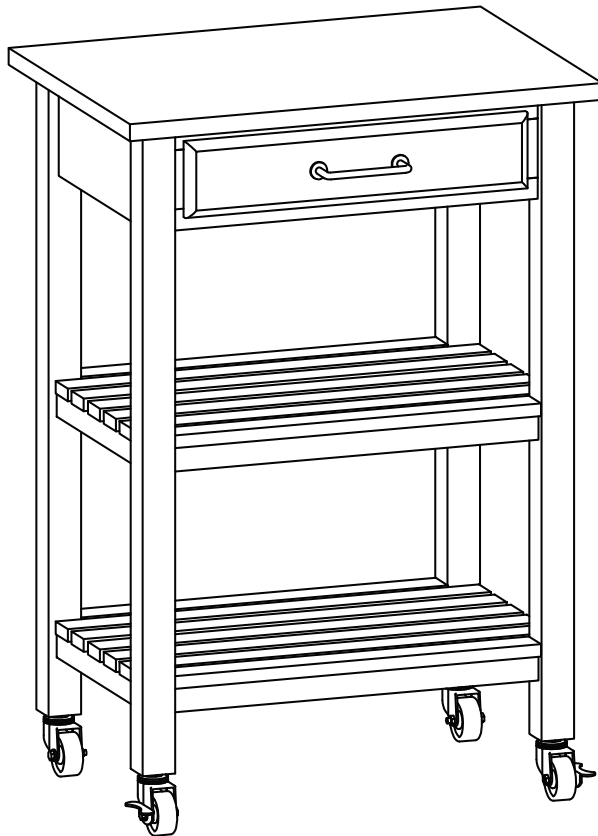




# Boraam Industries

ASSEMBLY INSTRUCTIONS

SKU: 50662 | COLORADO KITCHEN CART



Weight Capacity

Version 1 / Updated as of 11-17-23



Have questions about assembling your item?



Items or parts damaged?



Missing a part?

**We're here to help! (Monday-Friday from 9am-5pm CST)**



847-949-6300  
877-267-2261



customerservice@  
boraamindustries.com



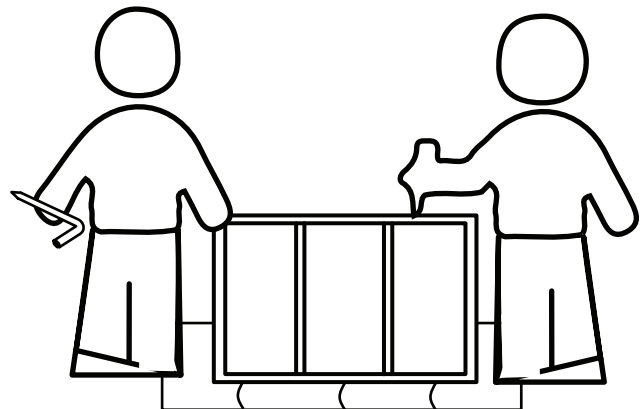
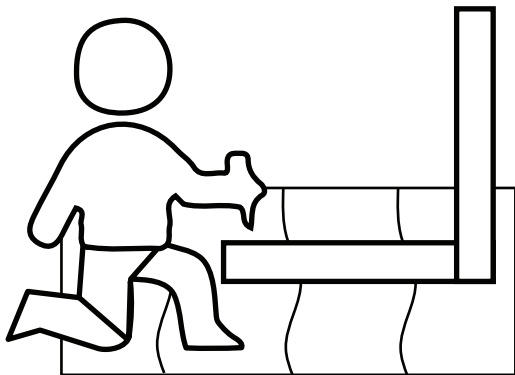
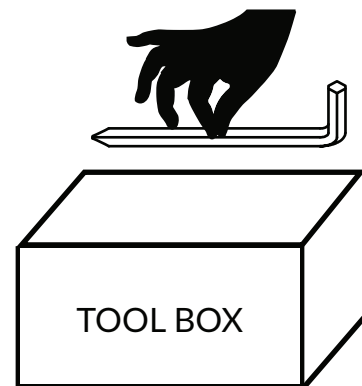
www.boraamindustries.com



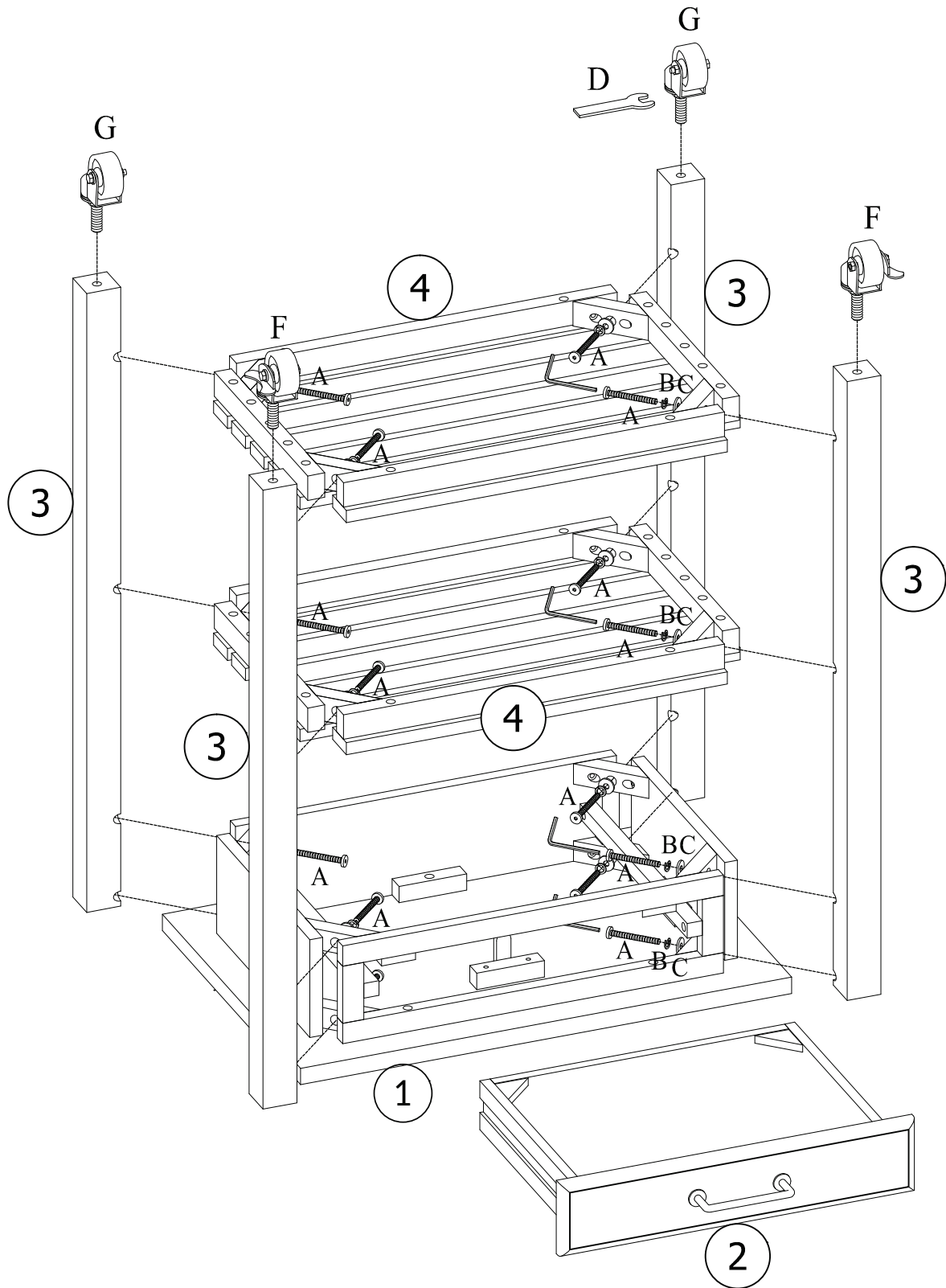
Philips screwdriver  
not included.

# Assembly And Care

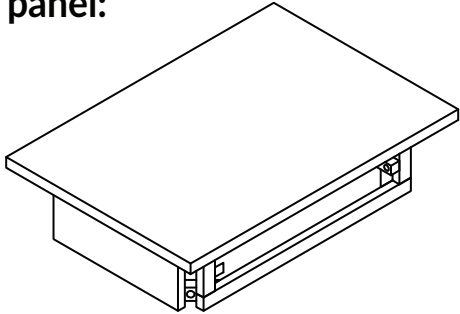
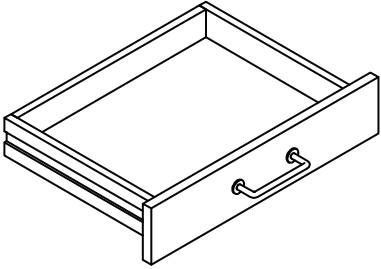
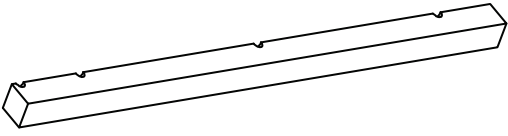
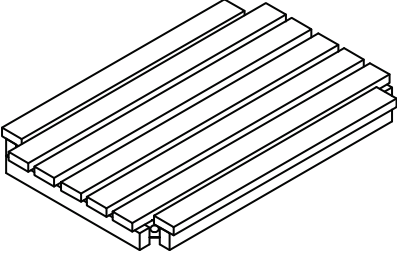
- All tools required for assembly are included unless noted.
- Prior to assembly, check for missing or damaged parts.
- Do not dispose of packaging materials until assembly is completed.
- Assemble item on a soft, clean surface to prevent damage to the item.



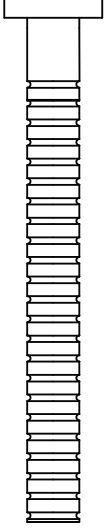

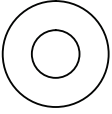
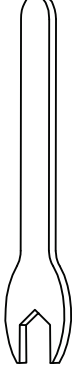


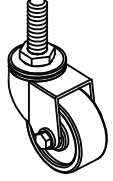
# Assembly Overview



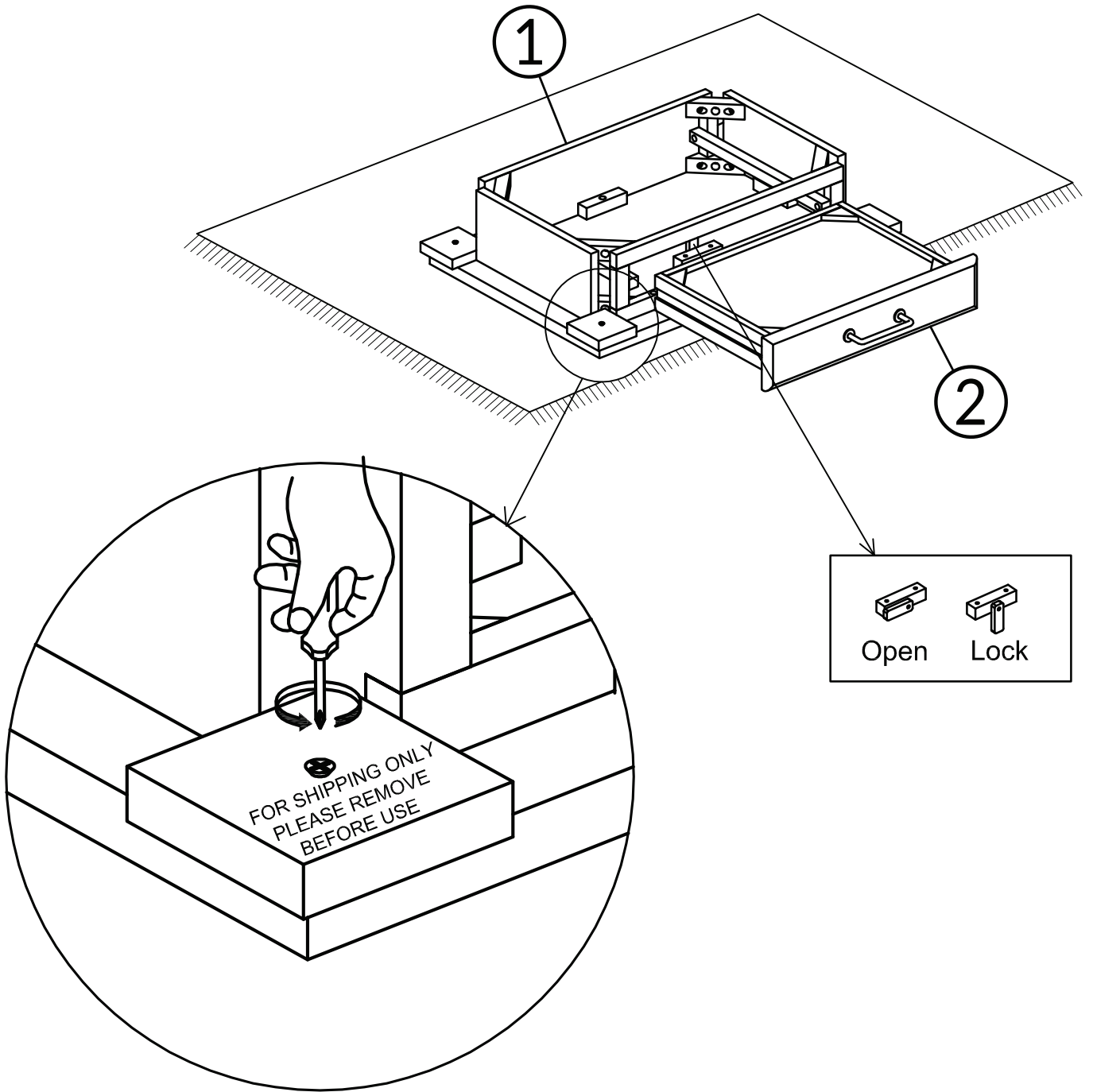
# PARTS

① (x1)	② (x1)
<b>Top panel:</b> 	<b>Drawer:</b> 
③ (x4)	④ (x2)
<b>Leg:</b> 	<b>Shelf:</b> 

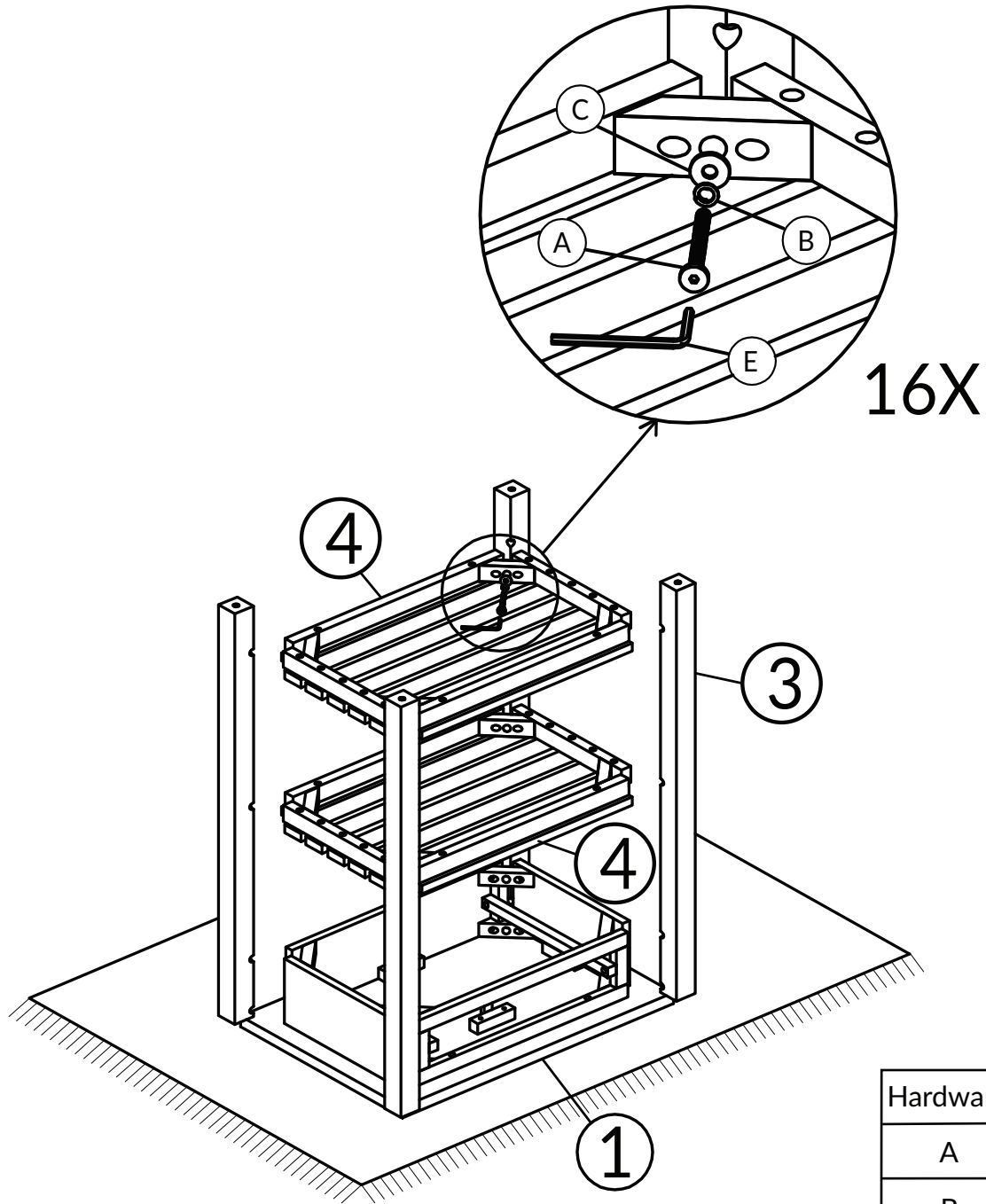
# HARDWARE

Ⓐ (x16)	Ⓑ (x16)	Ⓒ (x16)	Ⓓ (x1)	Ⓔ (x1)	Ⓕ (x2)	Ⓖ (x2)
						
Bolt M6x60	Spring Washer	Flat Washer	Wrench K13*90	Allen Wrench	Look Caster	Caster

# 01



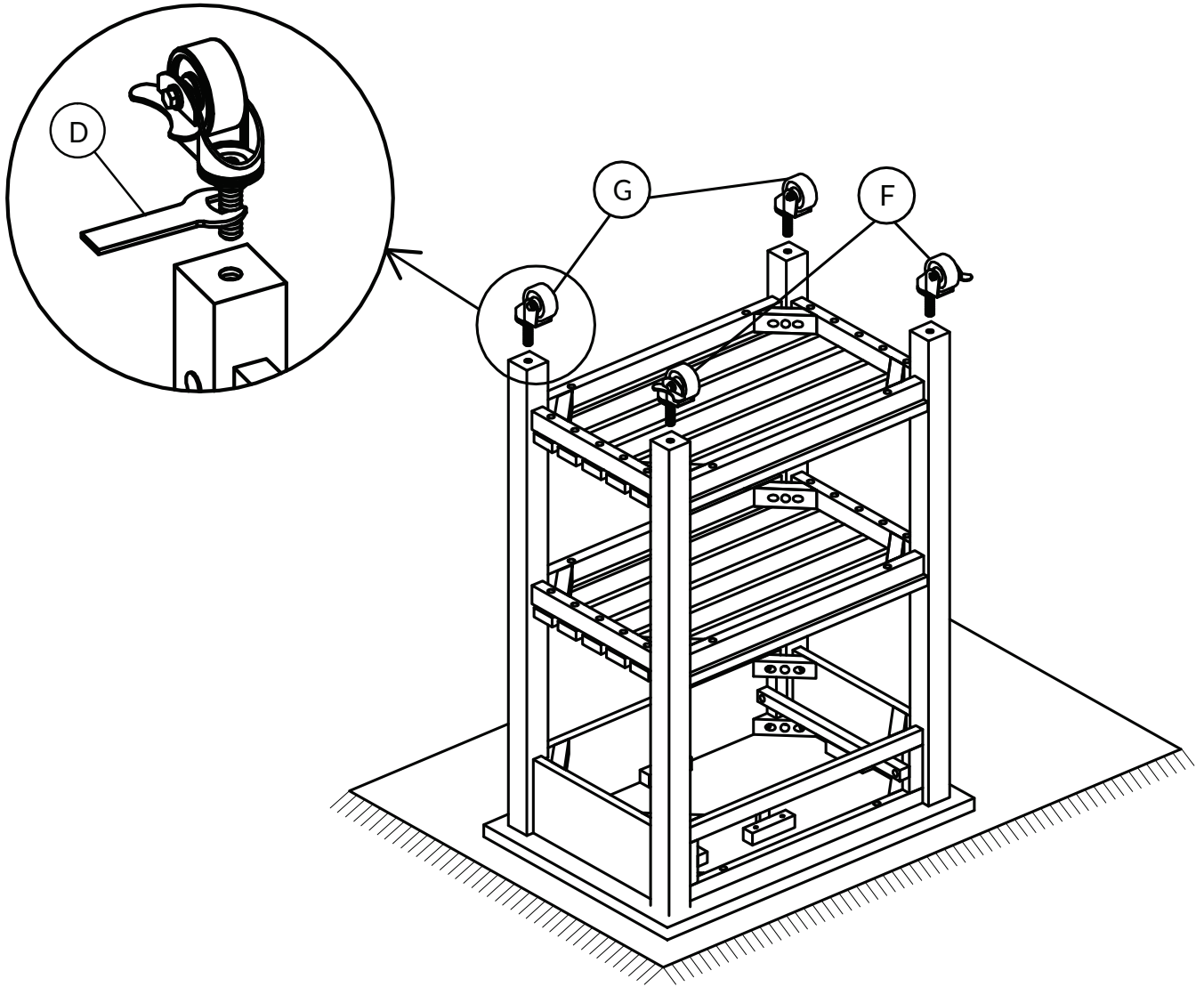
# 02



Hardware	Count
A	16
B	16
C	16
E	1

DO NOT TIGHTEN BOLT COMPLETELY.

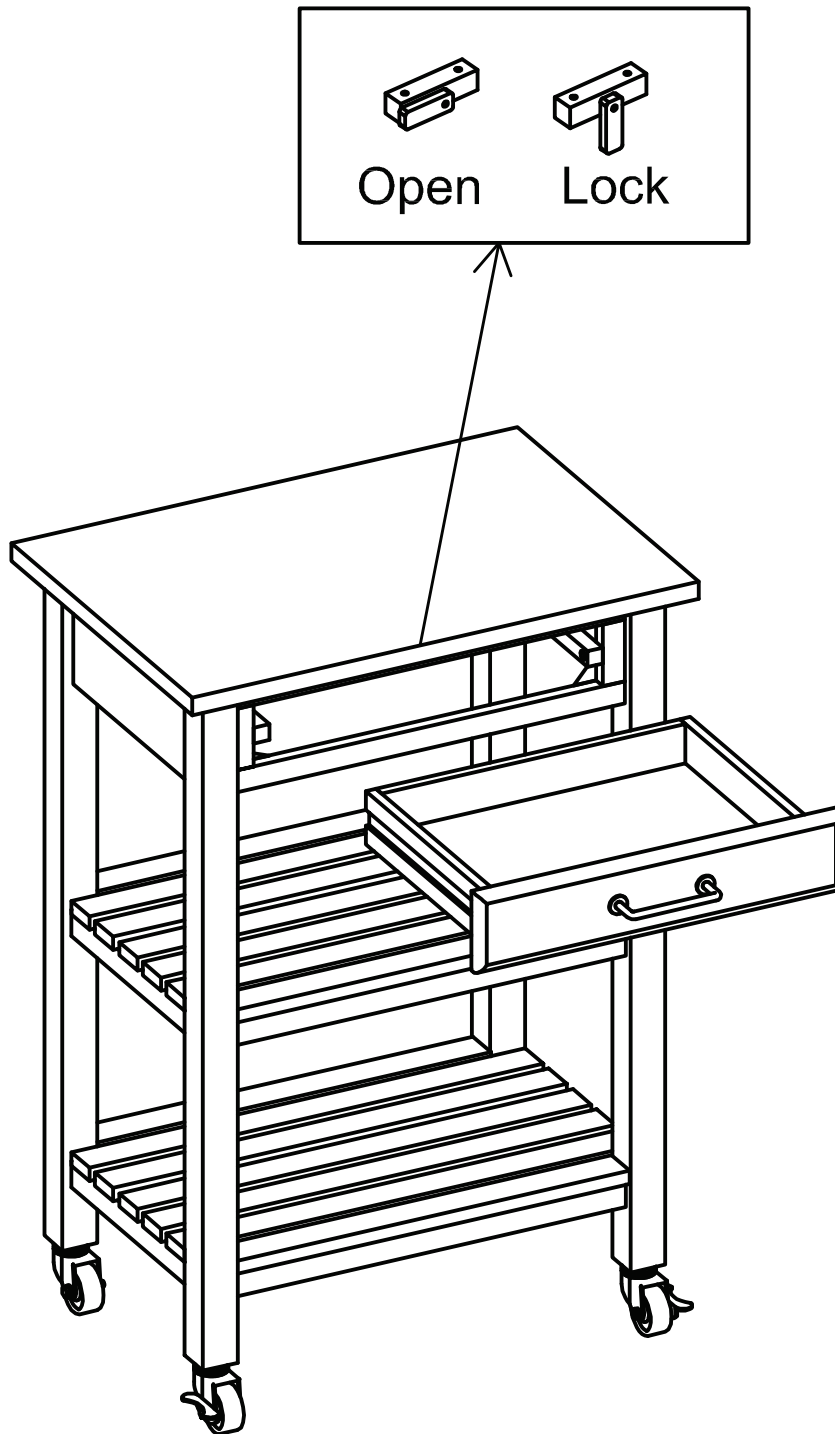
# 03



Hardware	Count
D	1
F	2
G	2

TIGHTEN BOLT COMPLETELY.

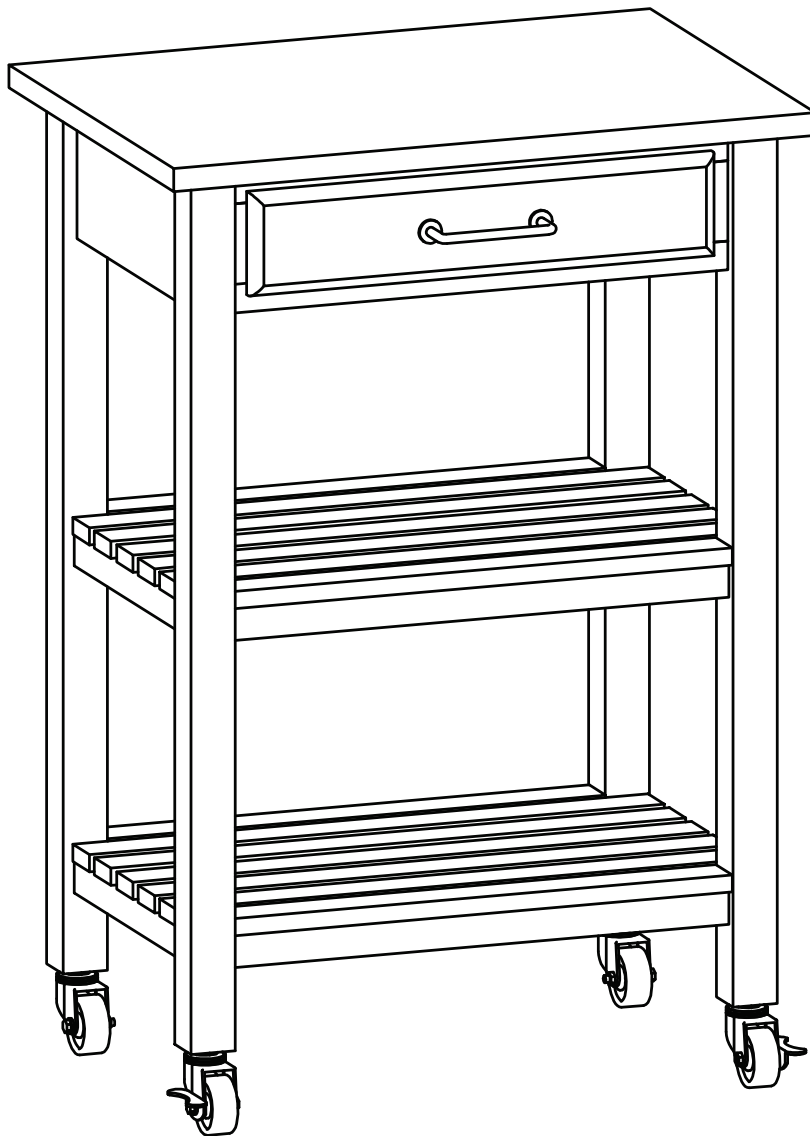
# 04







**Weight Capacity**



**BE SURE TO CHECK ALL BOLTS ARE SECURELY TIGHTENED PRIOR TO USE.**

847-949-6300 | 877-267-2261 | [customerservice@boraamindustries.com](mailto:customerservice@boraamindustries.com)