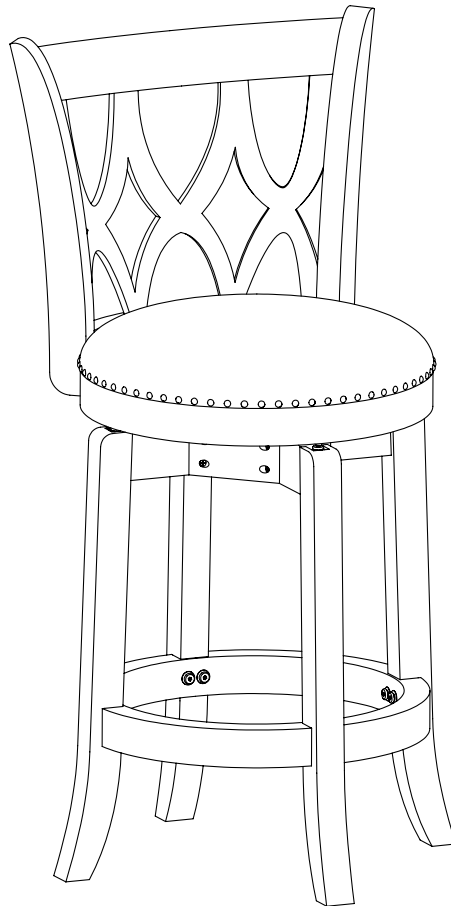




# Boraam Industries

ASSEMBLY INSTRUCTIONS

**SKU: 40224,40229,40324,40329**  
**CATHEDRAL SWIVEL STOOL**



Have questions about assembling your item?



Items or parts damaged?



Missing a part?

**We're here to help! (Monday-Friday from 9am-5pm CST)**



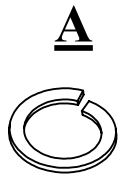
847-949-6300  
877-267-2261



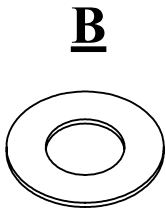
customerservice@  
boraamindustries.com



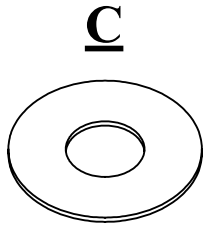
www.boraamindustries.com



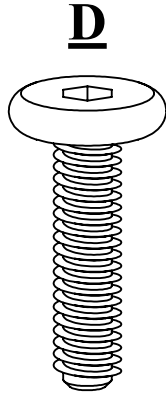
M6x10:14 PCS



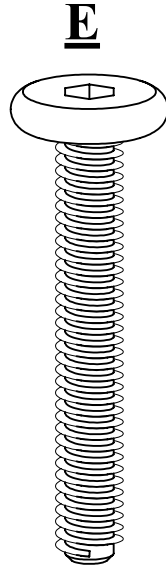
M6x13:4 PCS



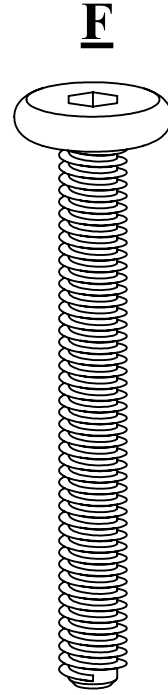
M6x16:18 PCS



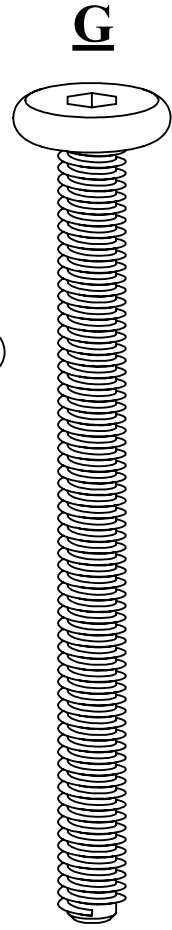
M6x25:4 PCS



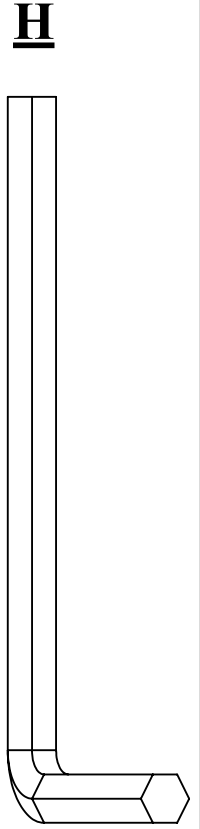
M6x40:8 PCS



M6x50:6 PCS

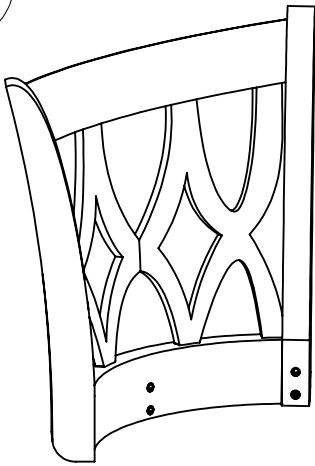


M6x70:4 PCS

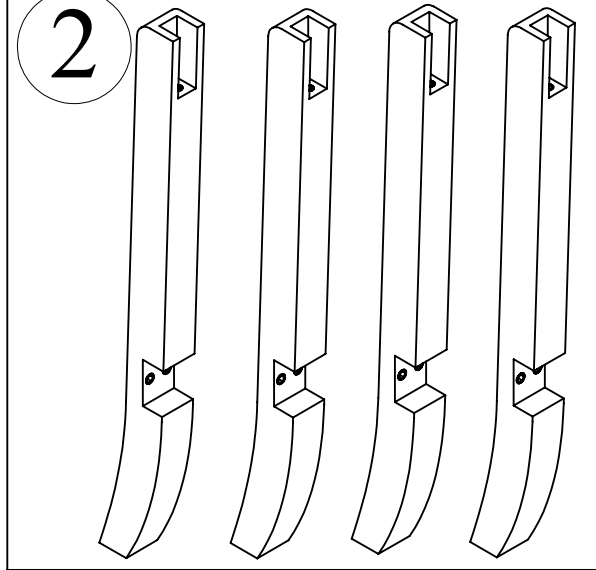


Allen Wrench: 1PC

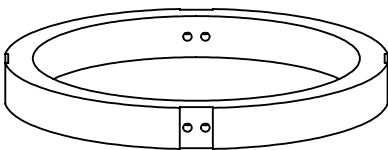
1



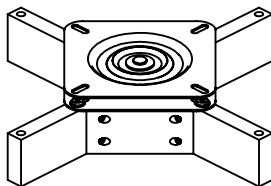
2



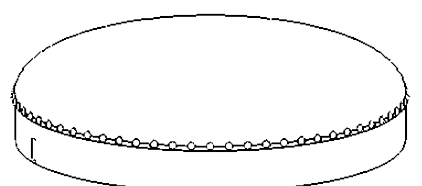
3



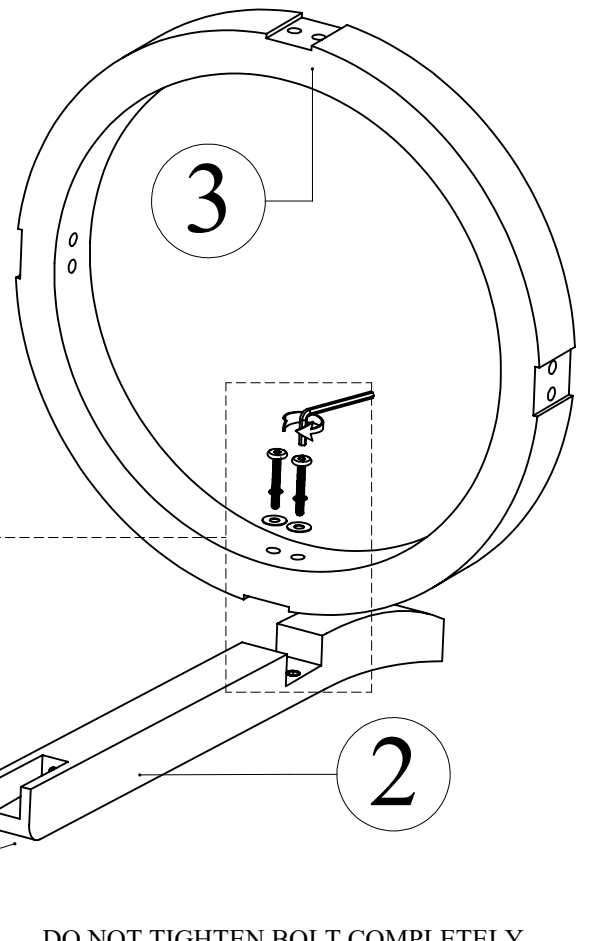
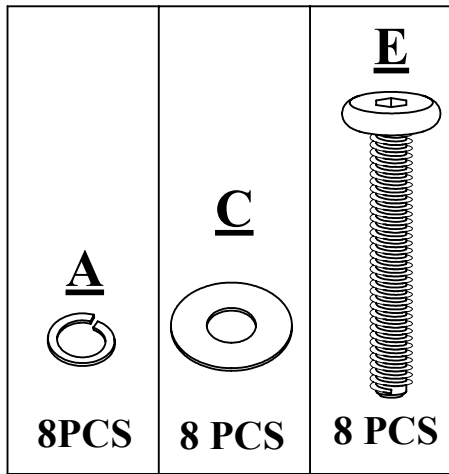
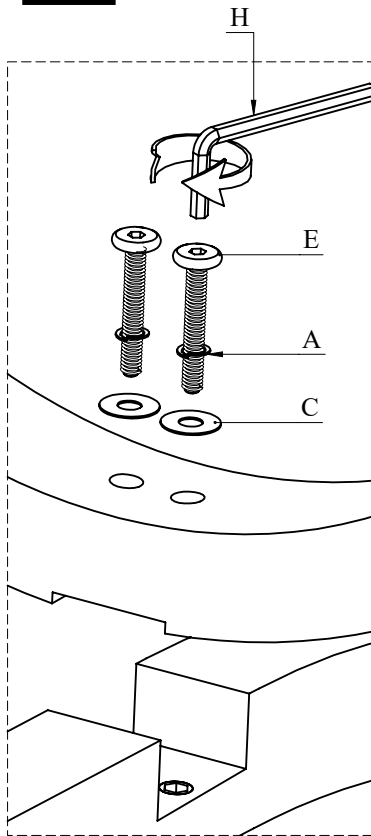
4



5

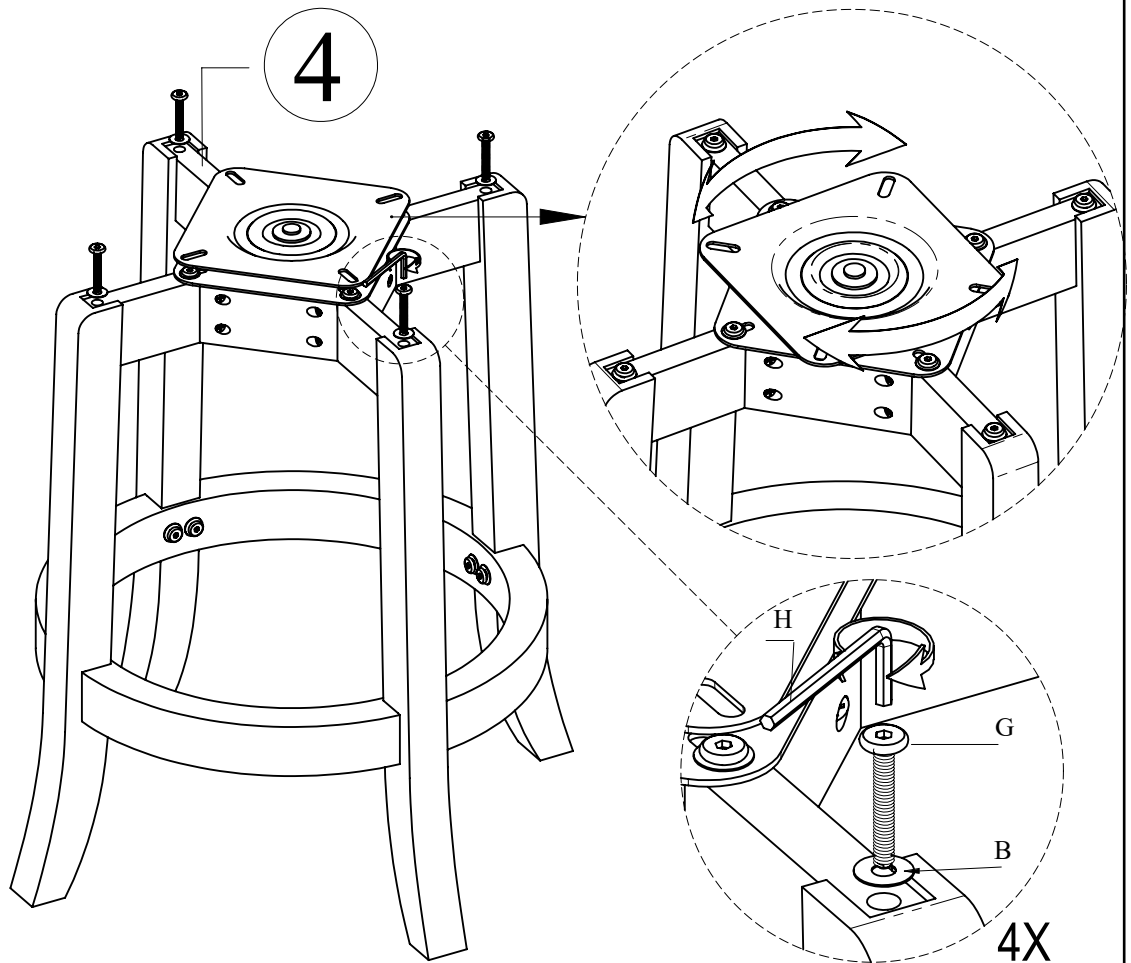
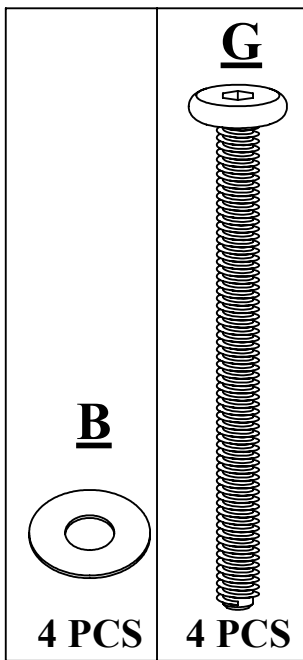


# 01



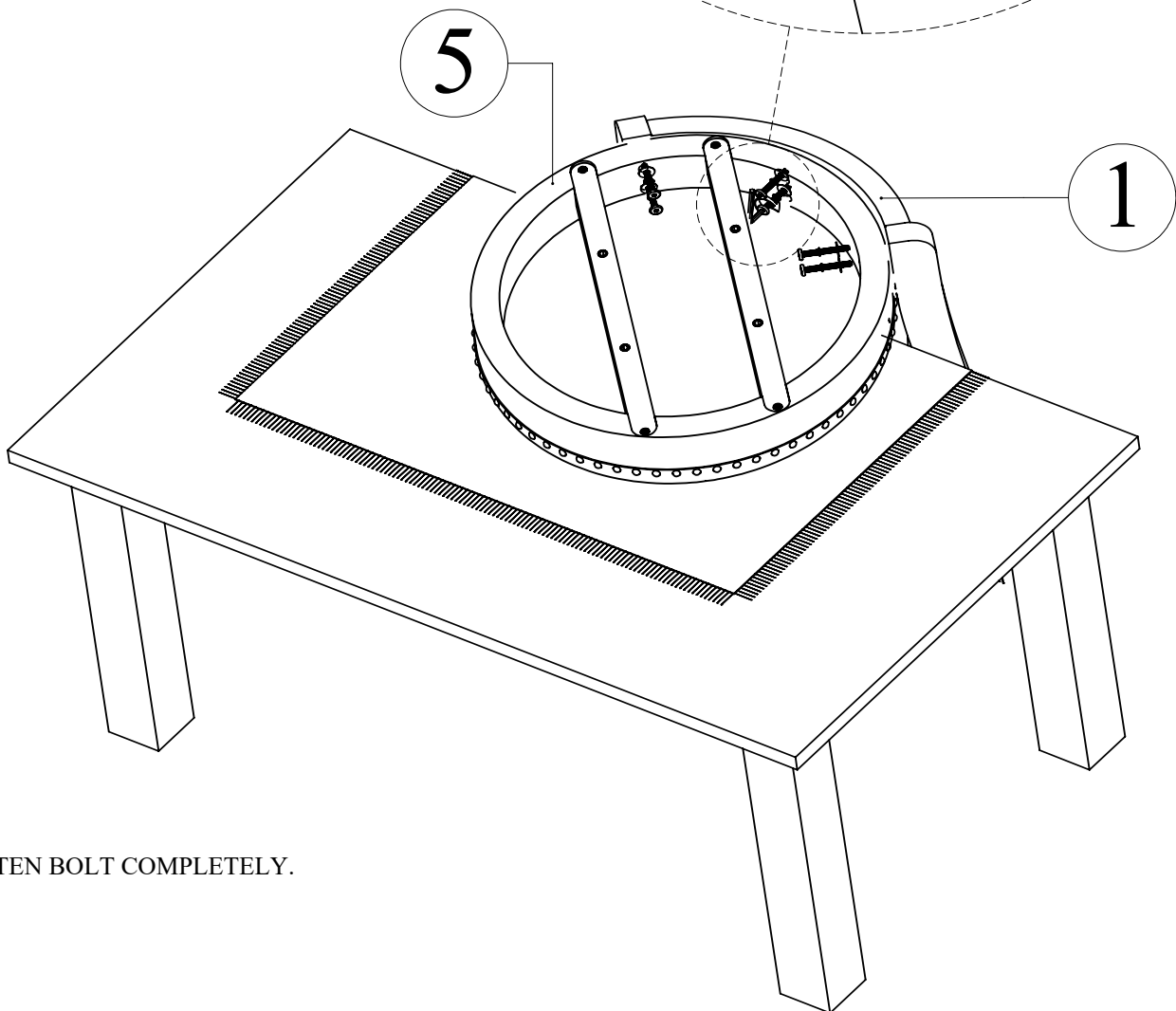
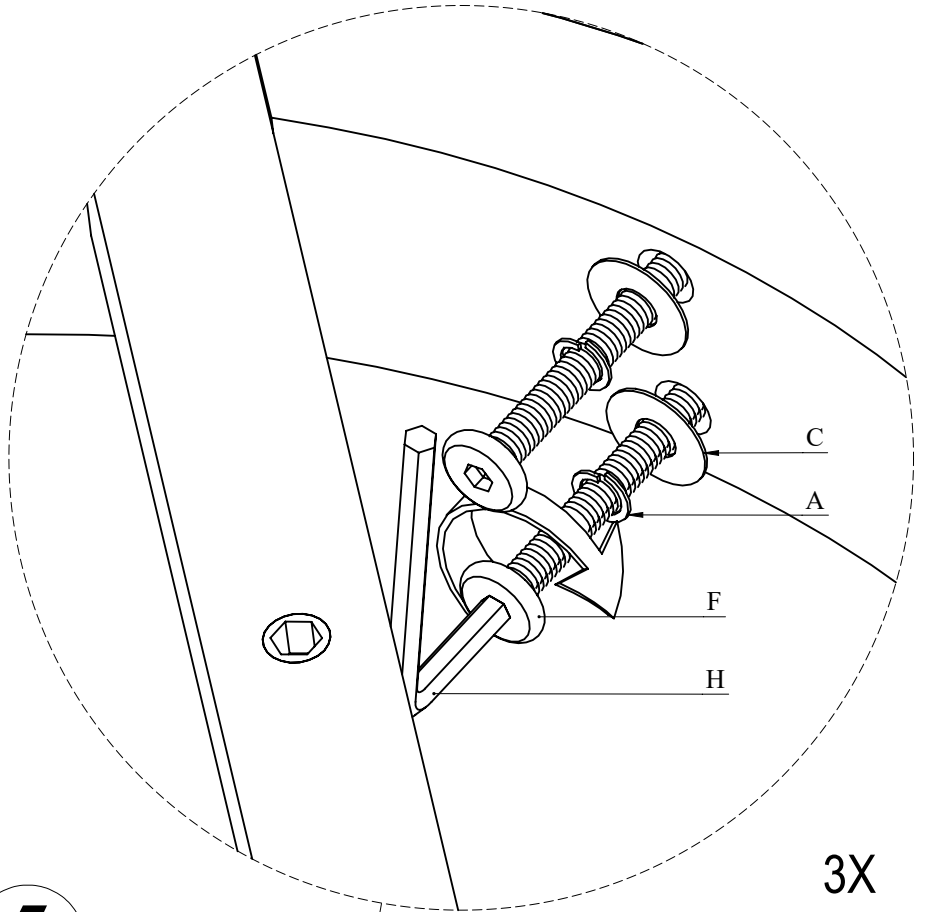
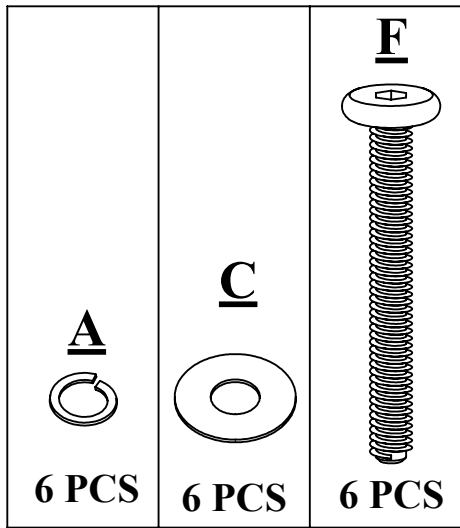
DO NOT TIGHTEN BOLT COMPLETELY.

# 02



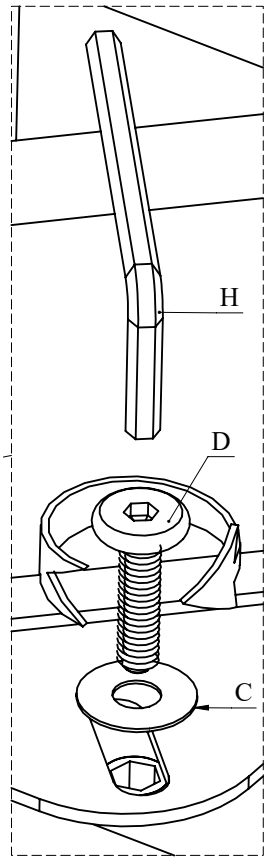
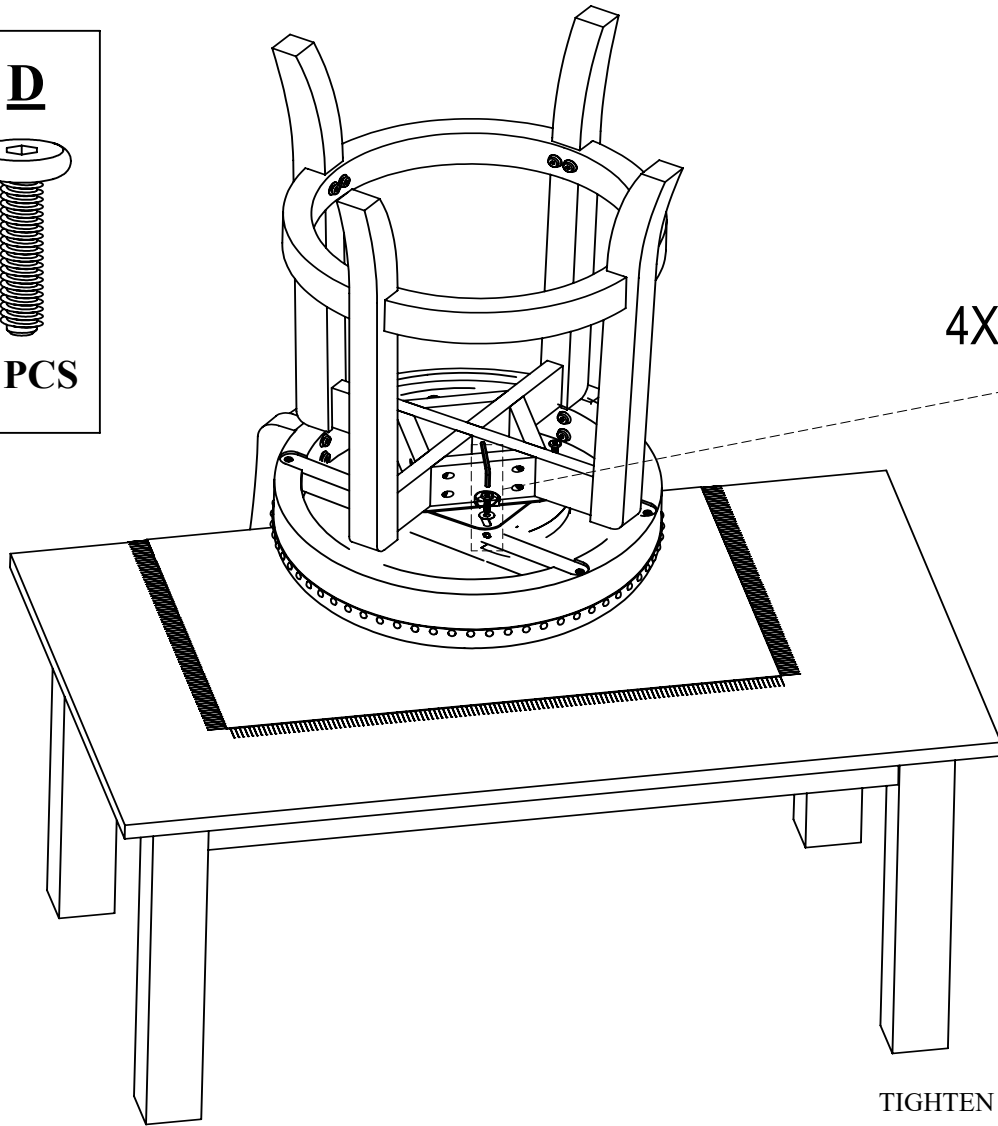
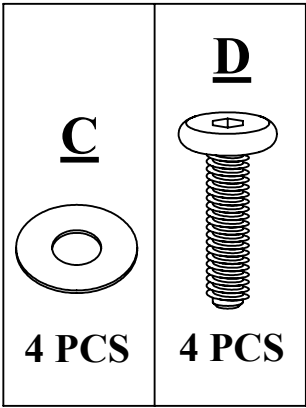
TIGHTEN BOLT COMPLETELY.

# 03

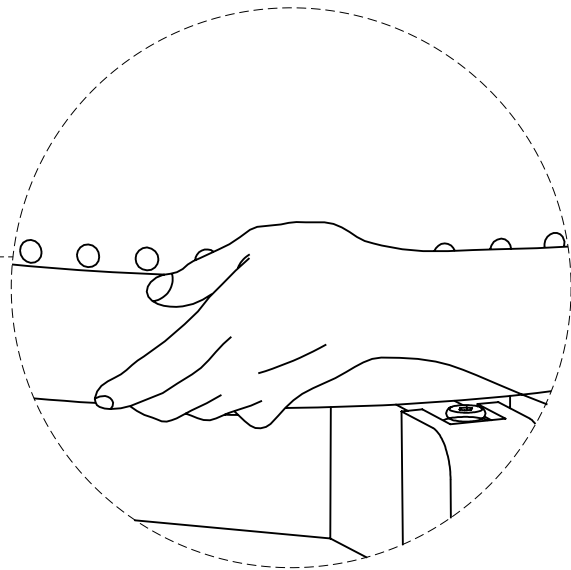
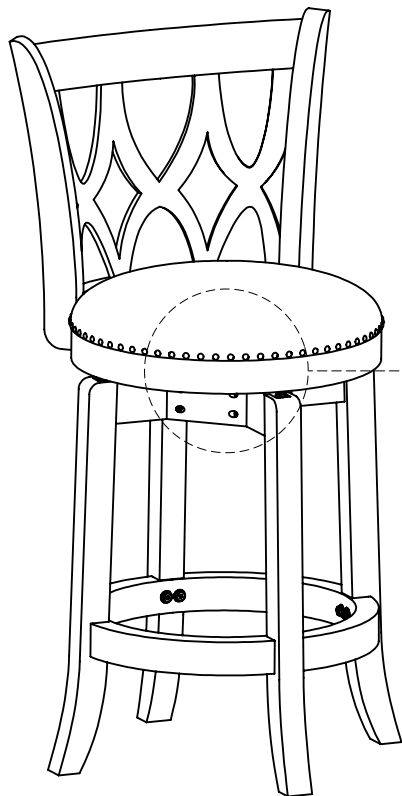


TIGHTEN BOLT COMPLETELY.

# 04



TIGHTEN BOLT COMPLETELY.



BE SURE TO CHECK ALL BOLTS ARE SECURELY TIGHTENED PRIOR USING THIS STOOL.