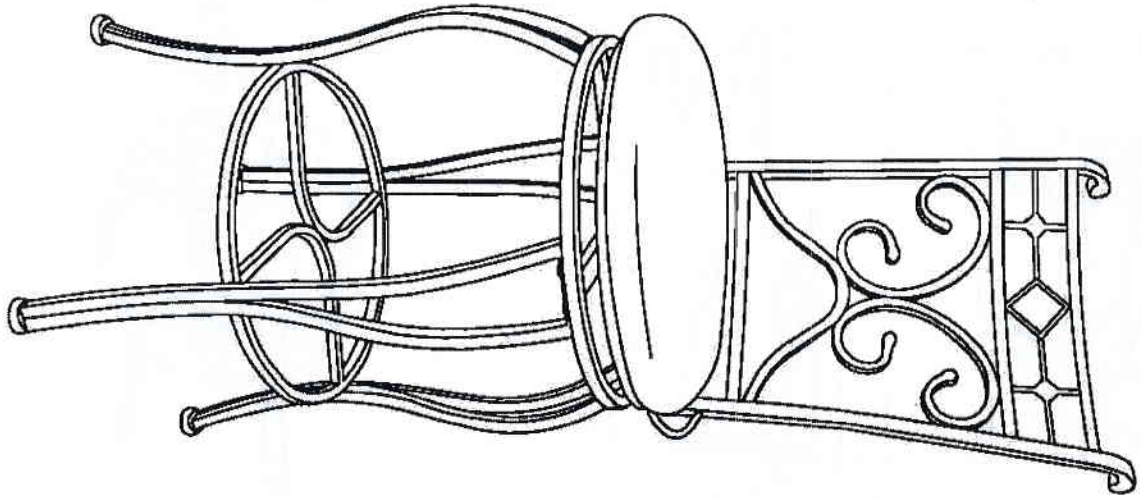















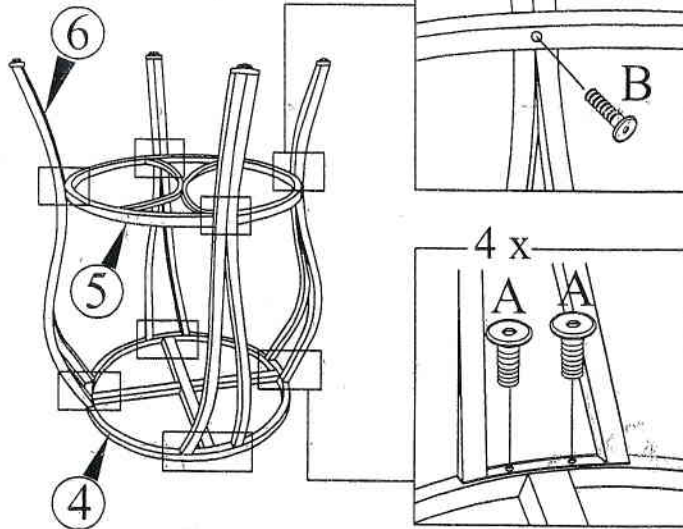
ASSEMBLY INSTRUCTION FOR BEAU SWIVEL STOOL

80416, 80516

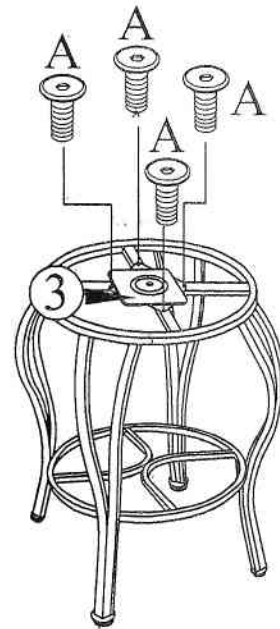


Part And Hardware List			
1		Back Rest	1 PC
2		Seat Base	1 PC
3		Swivel Plate	1 PC
4		Seat Frame	1 PC
5		Footrest	1 PC
6		Chair Leg	4 PCS
7		Cushion Seat	1 PC
A		Bolt (1/4" x12mm)	16 PCS
B		Bolt (1/4" x25mm)	6 PCS
C		Wood Screw	4 PCS
D		Spring Washer	2 PCS
E		Flat Washer	2 PCS
F		Allen Wrench	1 PC

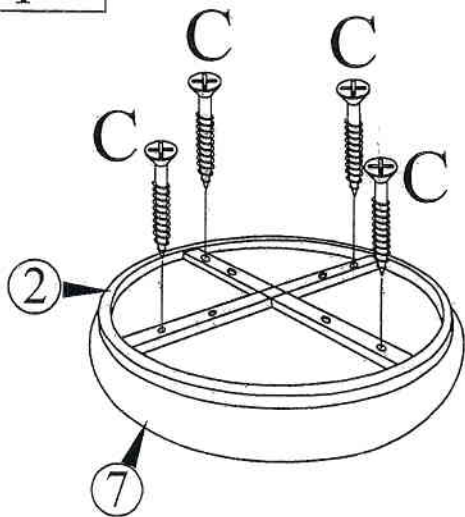
Step 1



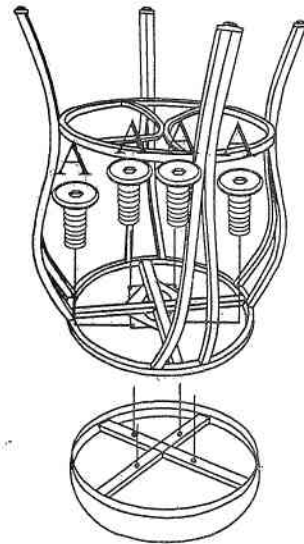
Step 2



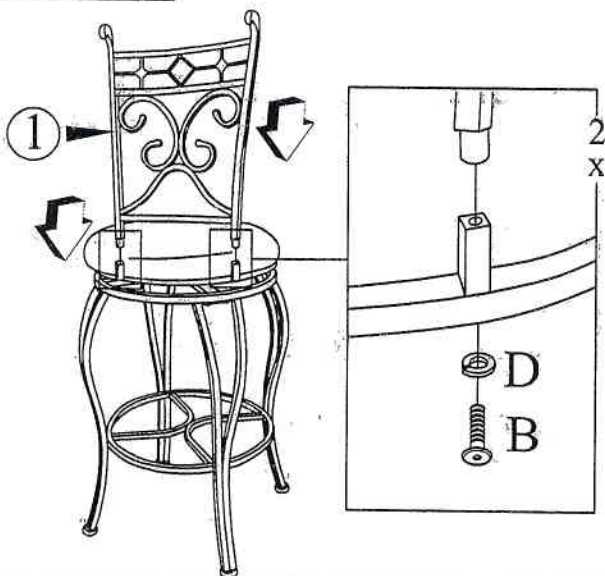
Step 3



Step 4



Step 5



Step 6

