

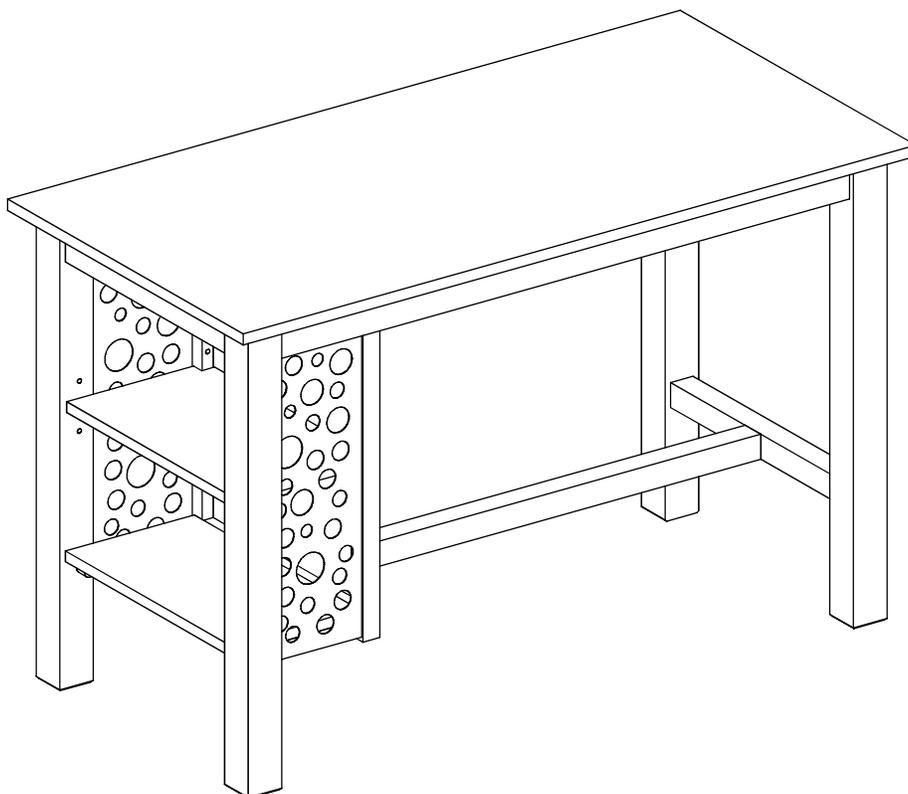


Boraam Industries

ASSEMBLY INSTRUCTIONS

SKU: 75330

BRITTANY DINING TABLE



Have questions about
assembling your item?



Items or parts damaged?



Missing a part?

We're here to help! (Monday-Friday from 9am-5pm CST)



847-949-6300
877-267-2261



customerservice@
boraamindustries.com



www.boraamindustries.com

Phillips
Screwdriver
(Not provided)



A



Spring Washer
8 PCS

B



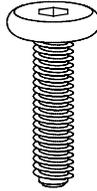
Flat Washer
8 PCS

C



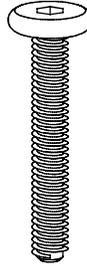
Hinge
4 PCS

D



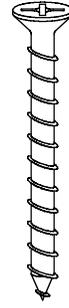
M6*40
6 PCS

E



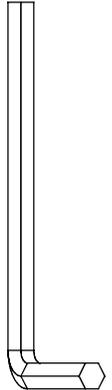
M8*70
8 PCS

E



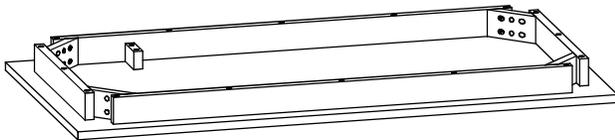
M4*50
4 PCS

G

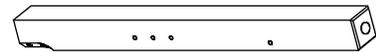


1 PC

1



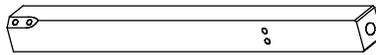
2



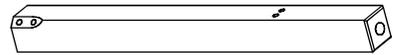
3



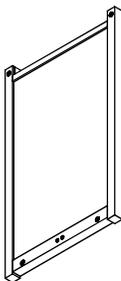
4



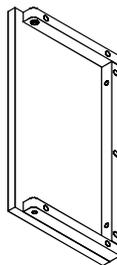
5



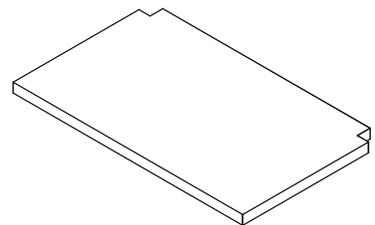
6



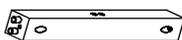
7



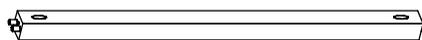
8



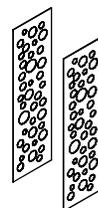
9



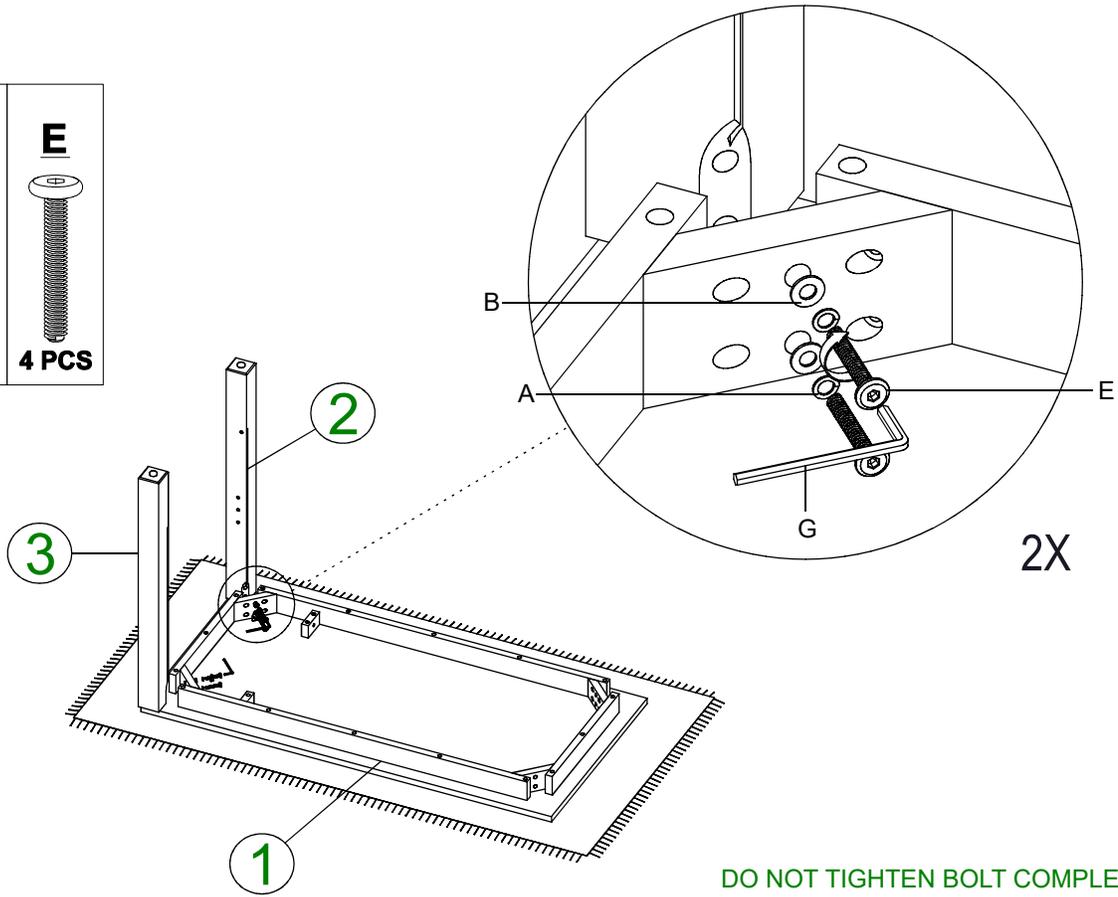
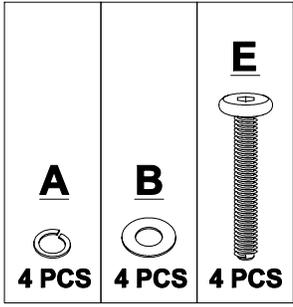
10



11

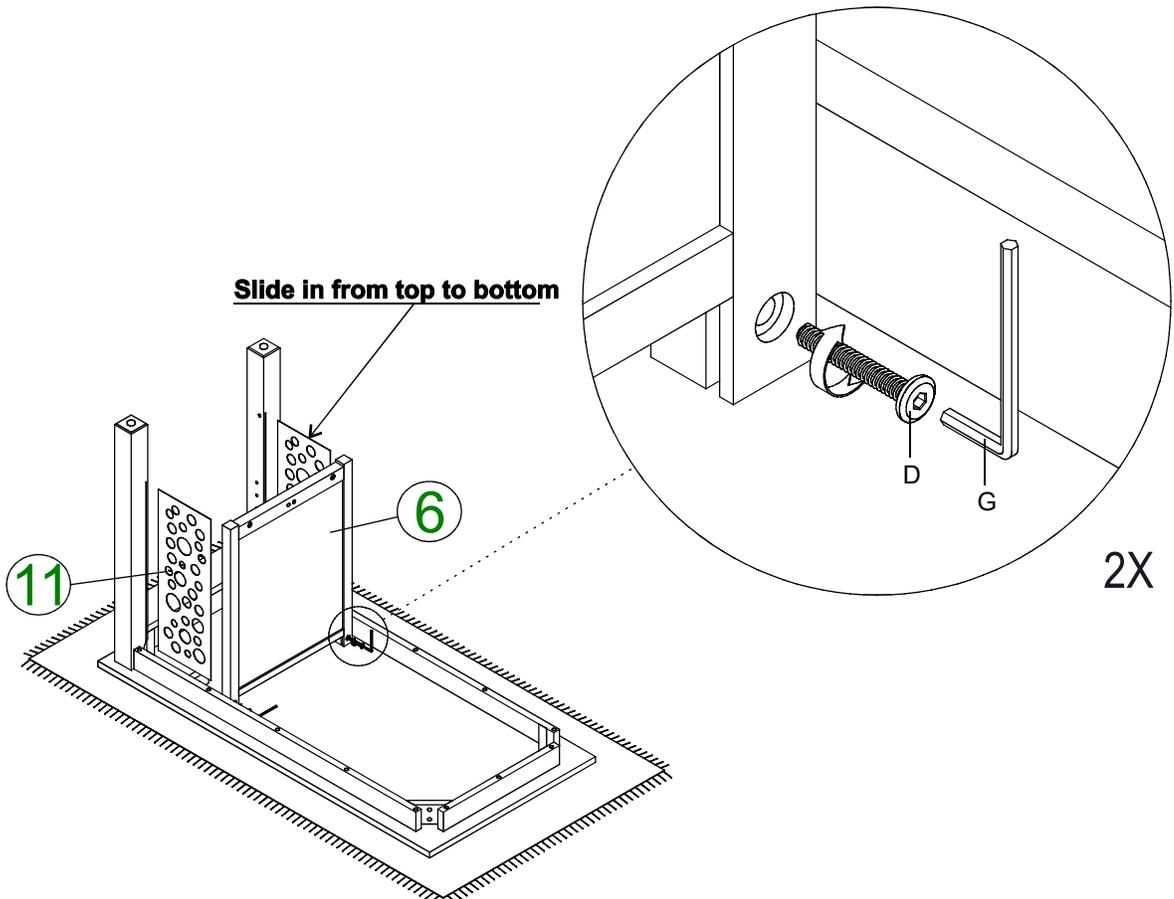
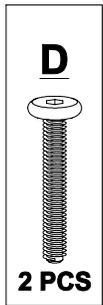


01



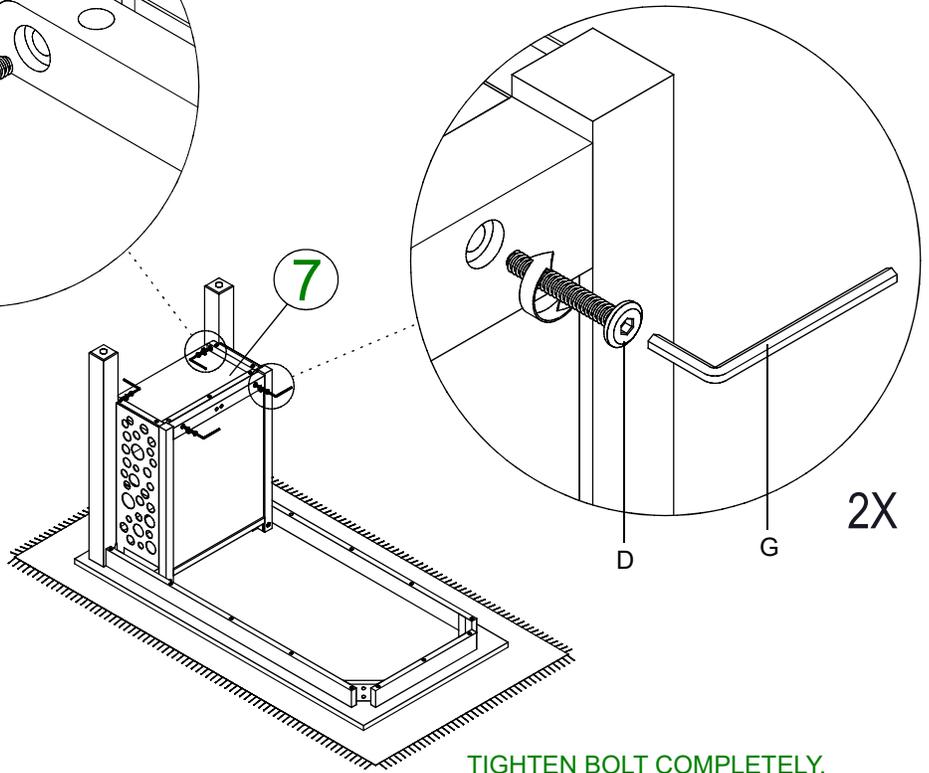
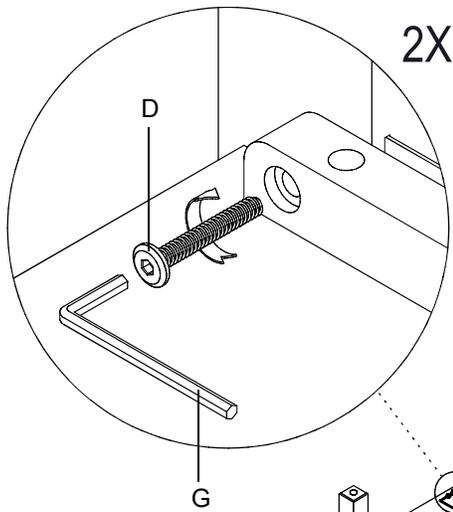
DO NOT TIGHTEN BOLT COMPLETELY.

02

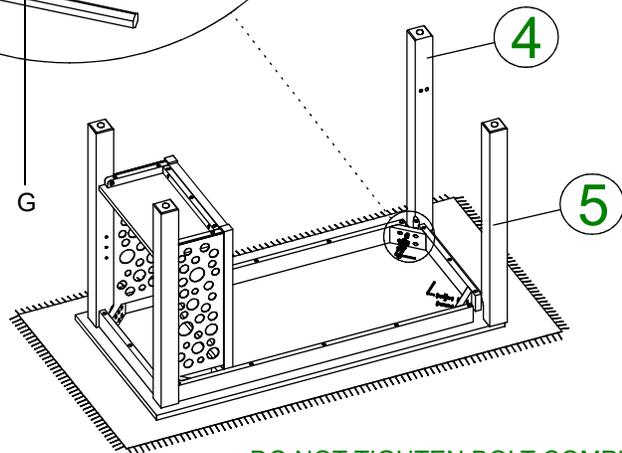
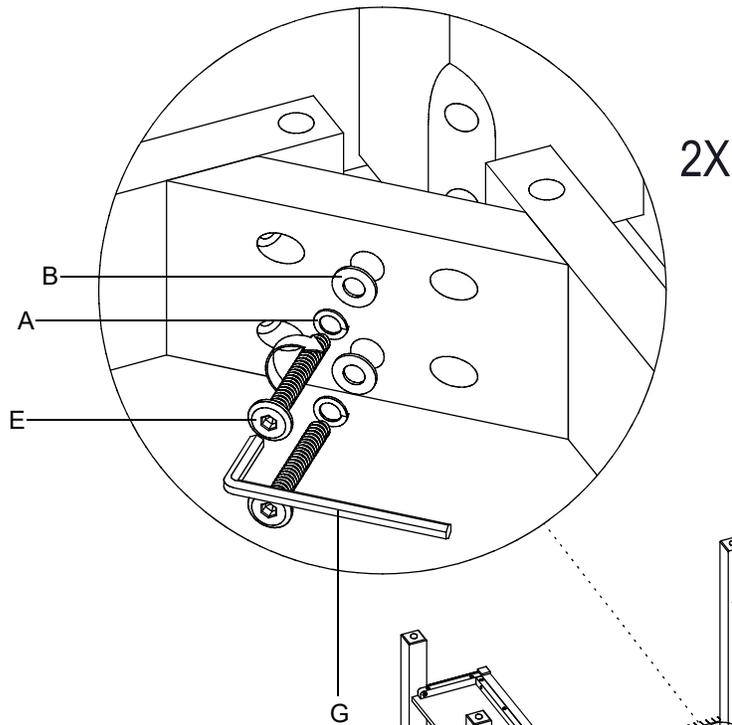
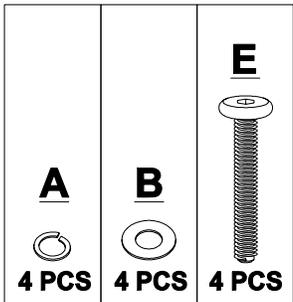


DO NOT TIGHTEN BOLT COMPLETELY.

03



04



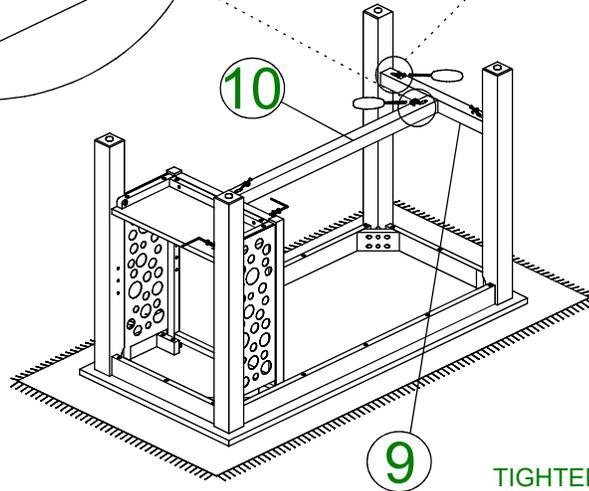
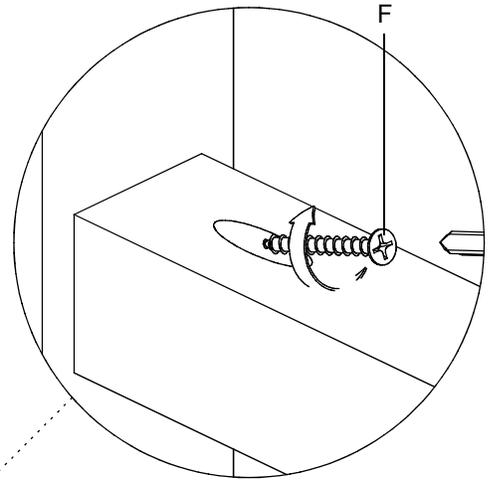
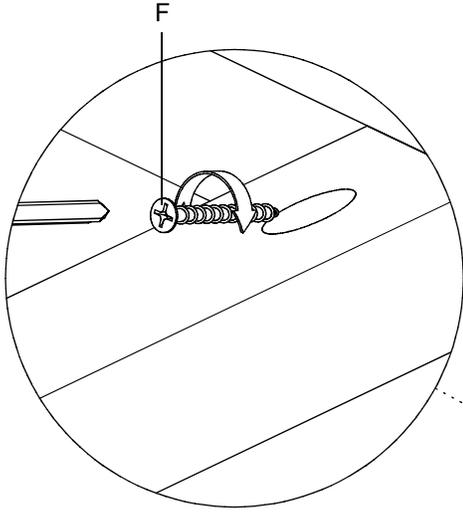
DO NOT TIGHTEN BOLT COMPLETELY.

05

F



4 PCS



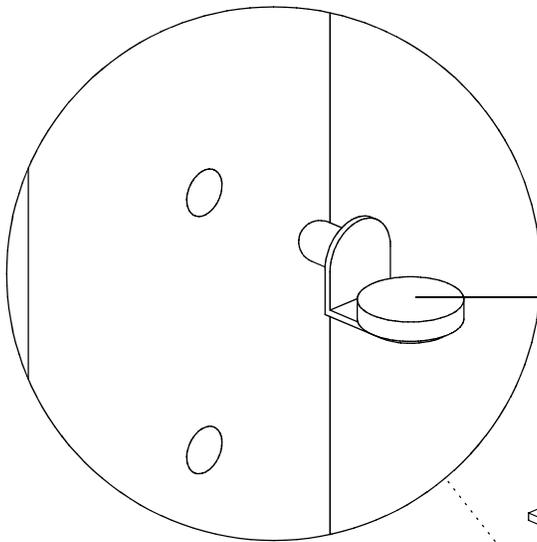
TIGHTEN BOLT COMPLETELY.

06

C

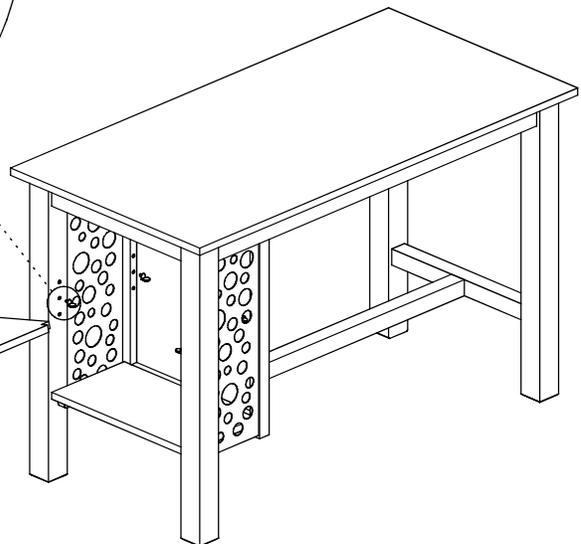


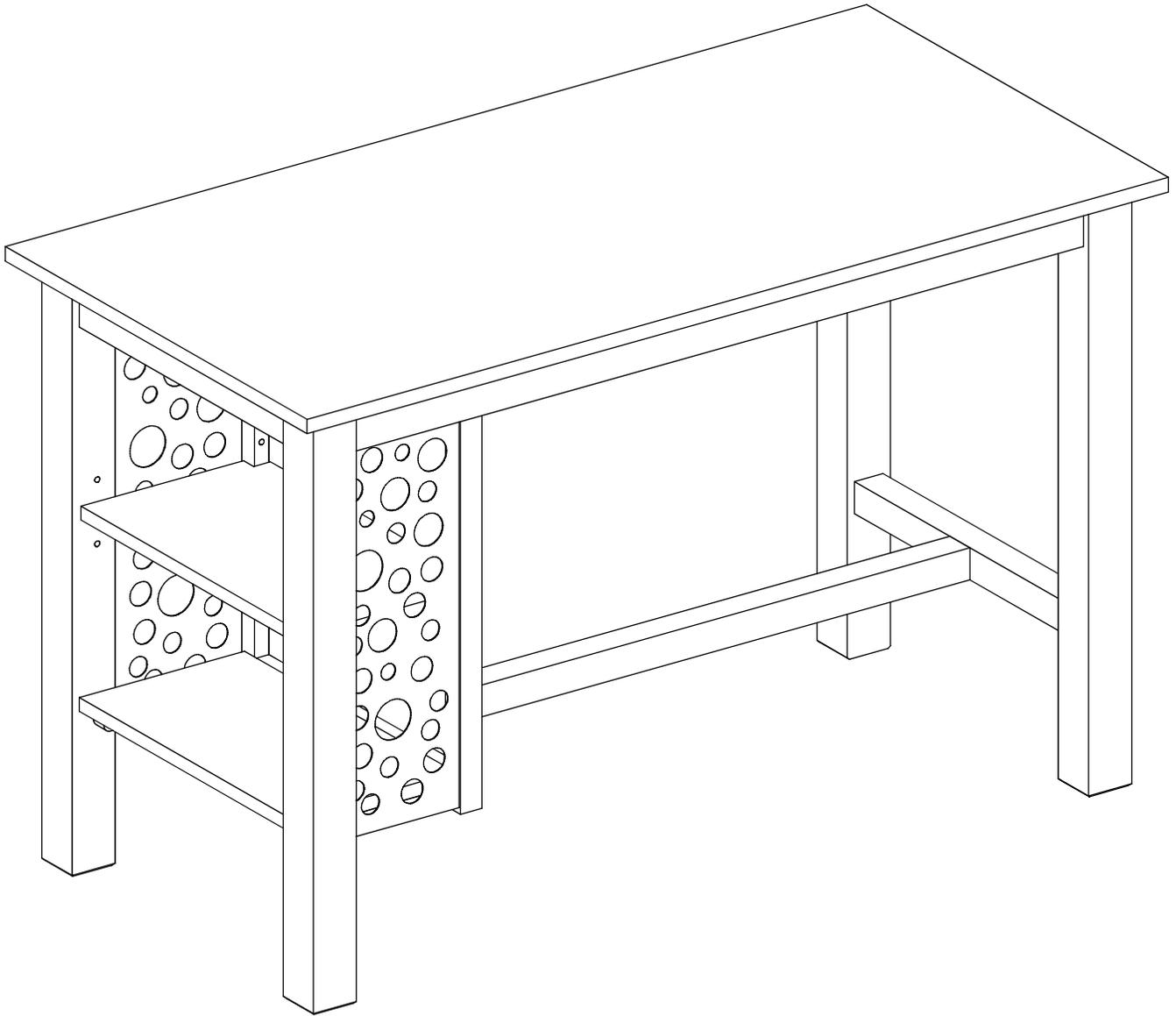
4 PCS



8

Removable Shelf





BE SURE TO CHECK ALL BOLTS ARE SECURELY
TIGHTENED PRIOR USING THIS TABLE.



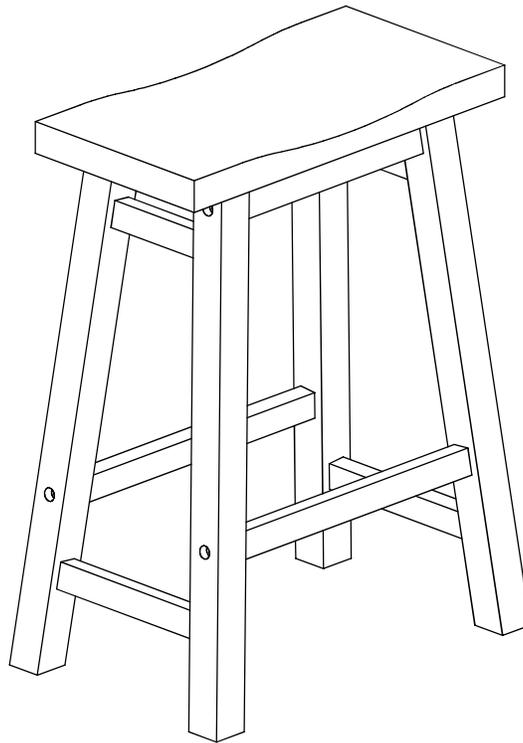
Boraam Industries

ASSEMBLY INSTRUCTIONS

SKU: 75024,75029,75124,75129,75224,75229

75524,75529,75624,75629,75324,75329,75318

SONOMA SADDLE STOOL



Version 1 / Updated as of 11/09/23



Have questions about assembling your item?



Items or parts damaged?



Missing a part?

We're here to help! (Monday-Friday from 9am-5pm CST)



847-949-6300
877-267-2261



customerservice@
boraamindustries.com



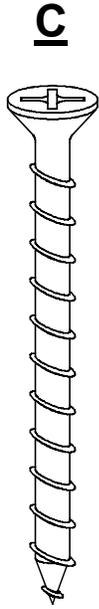
www.boraamindustries.com



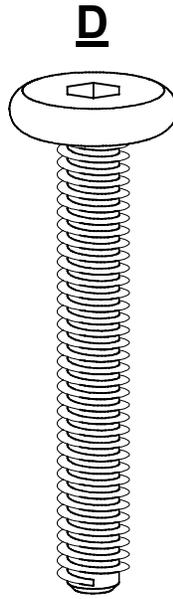
Wood Nut
8 PCS



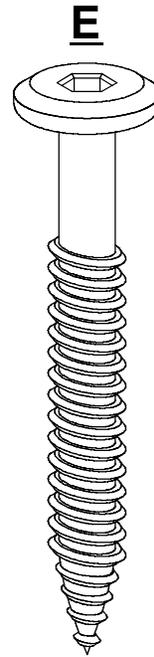
Wood Dowel
2 PCS



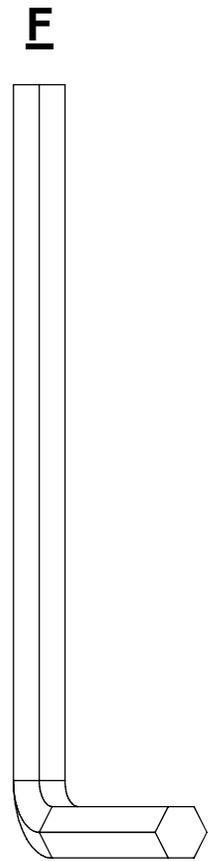
M4*40
8 PCS



M6*40
4 PCS

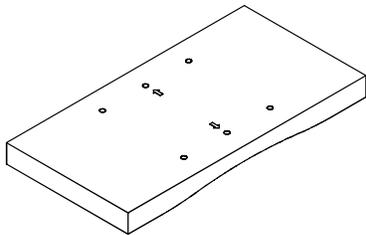


M6*50
8 PCS

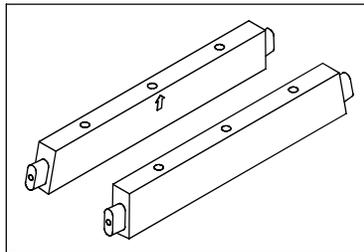


1 PC

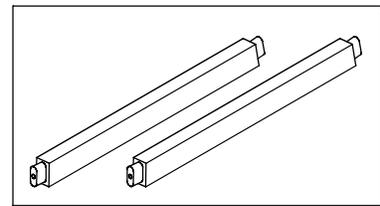
1



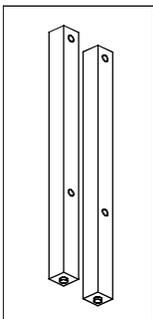
2



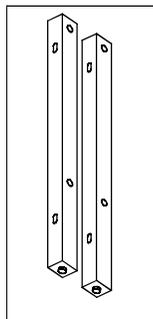
3



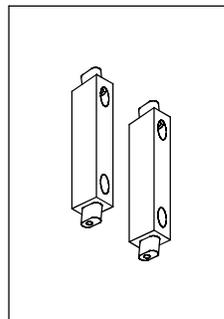
4



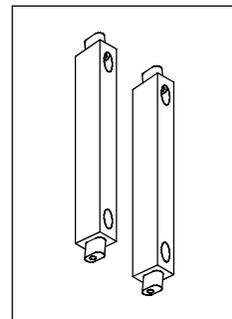
5



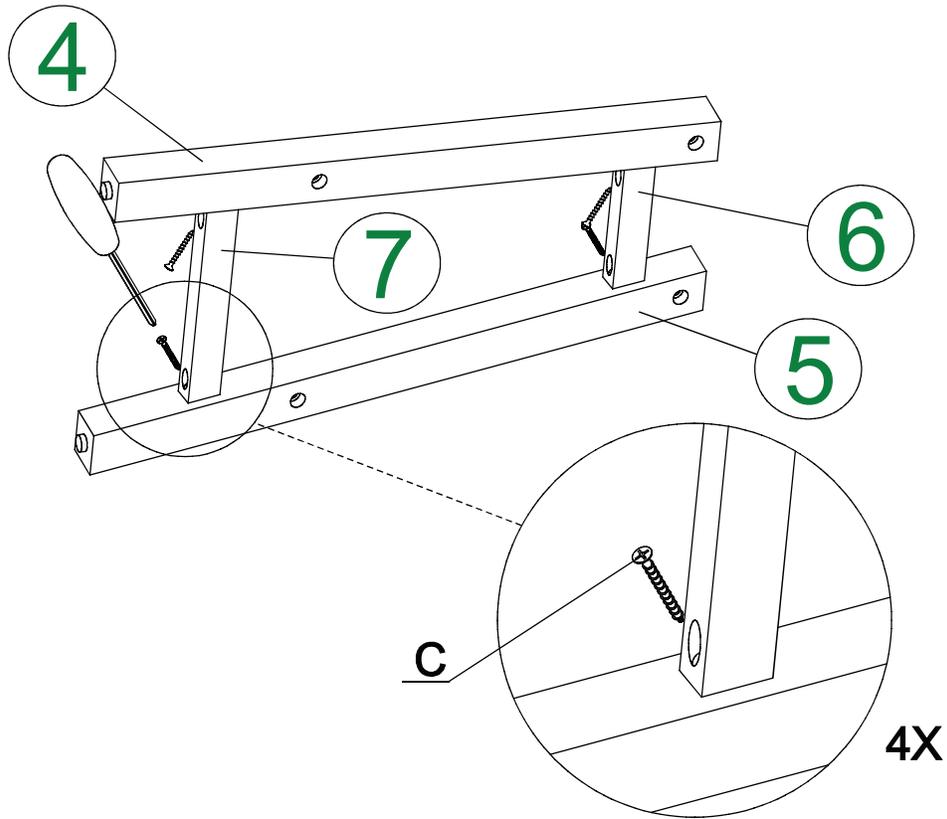
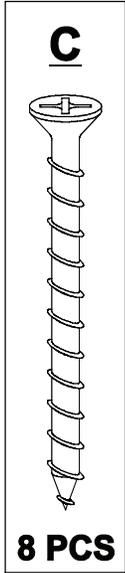
6



7



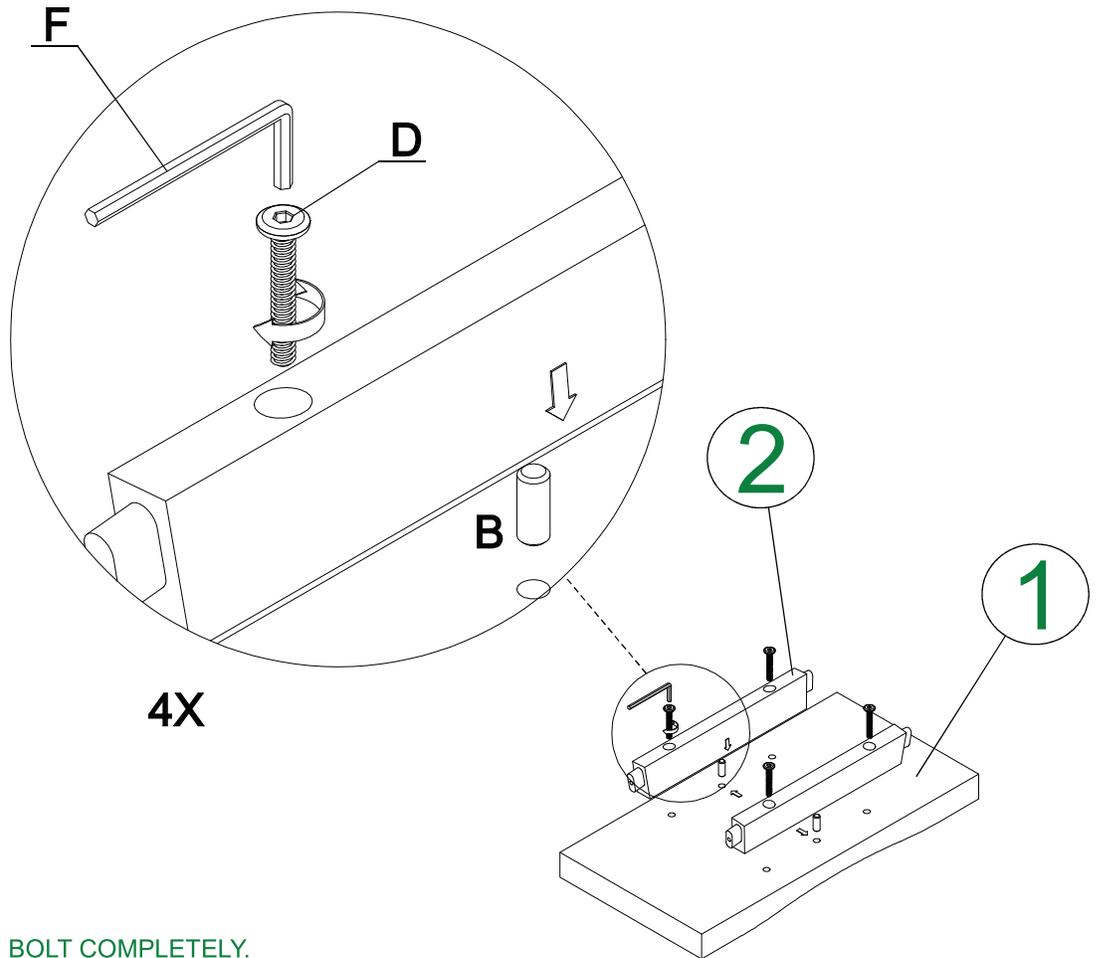
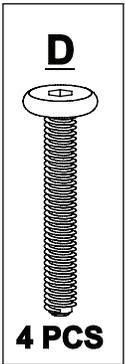
01



Scan the QR code for a video explaining this step.

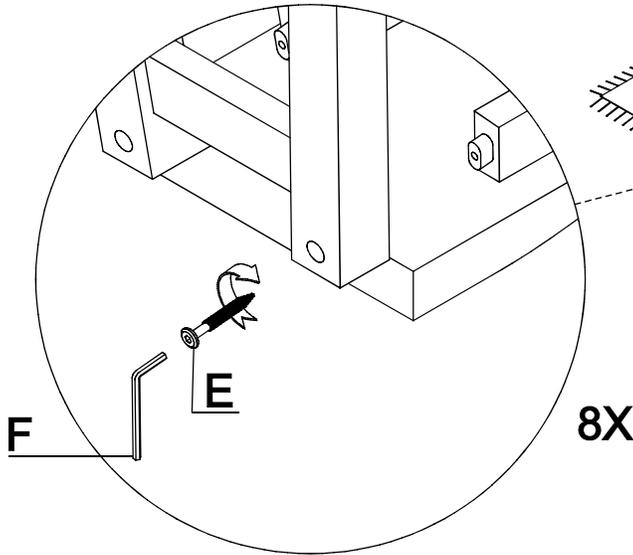
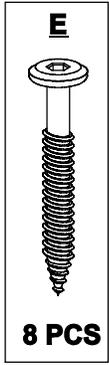
TIGHTEN BOLT COMPLETELY.

02



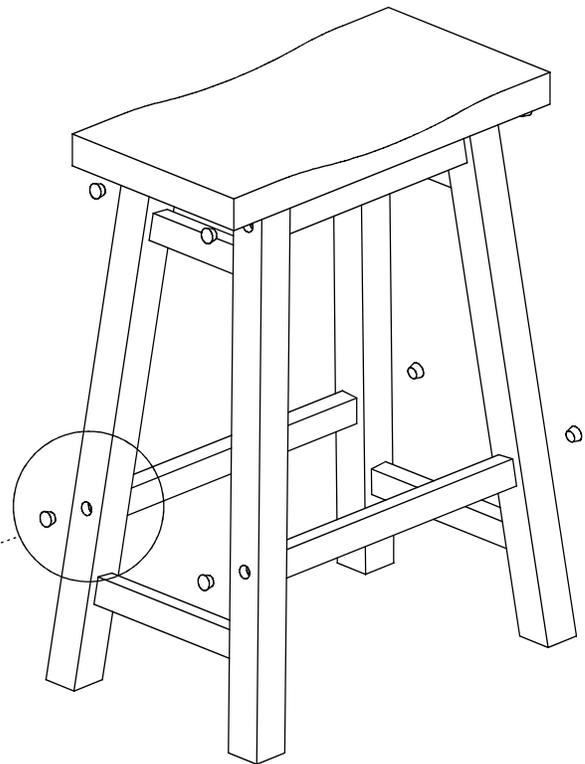
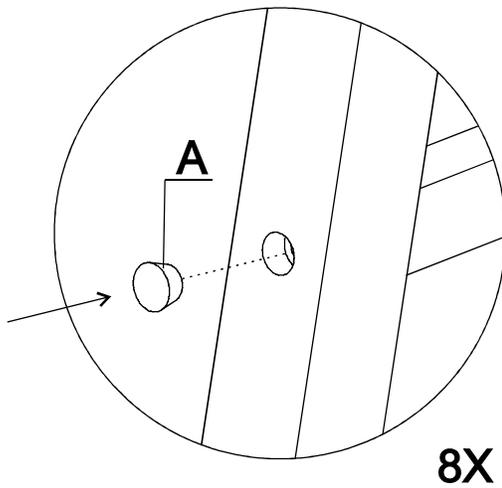
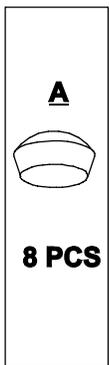
DO NOT TIGHTEN BOLT COMPLETELY.

03



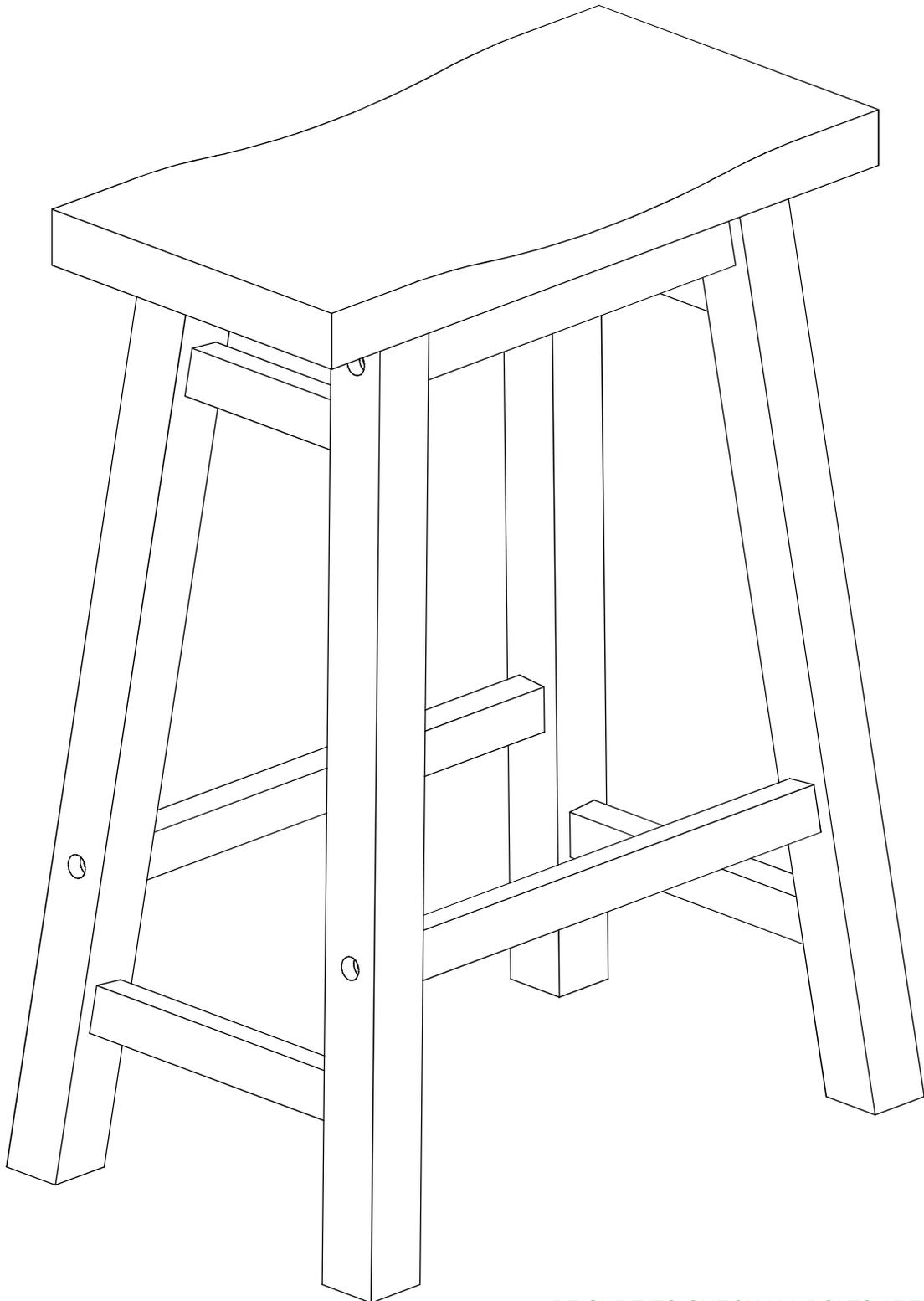
TIGHTEN BOLT COMPLETELY.

04



TIGHTEN BOLT COMPLETELY.

05



BE SURE TO CHECK ALL BOLTS ARE SECURELY
TIGHTENED PRIOR USING THIS STOOL.

Updated as of 11/06/23

847-949-6300 | 877-267-2261 | customerservice@boraamindustries.com