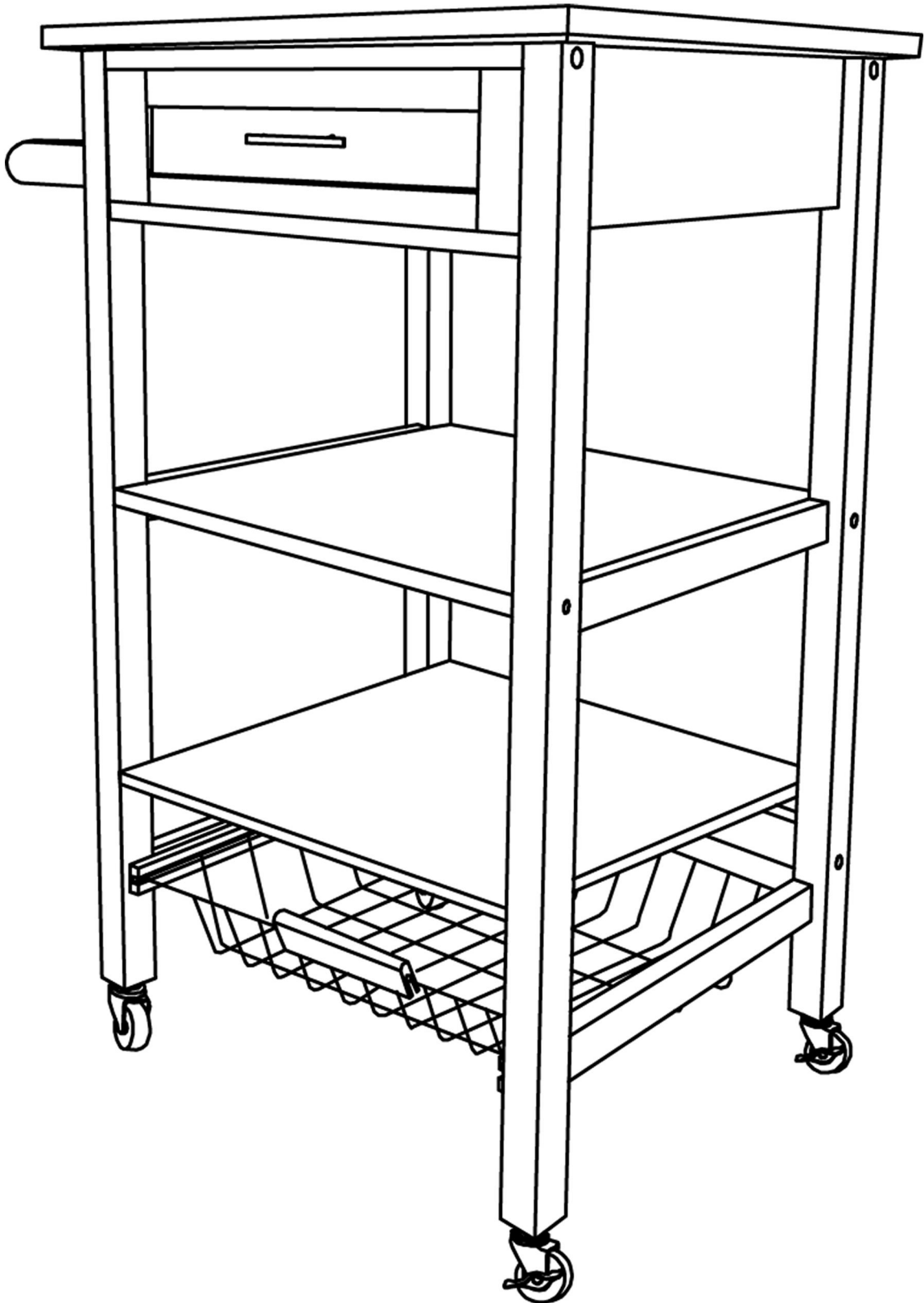




Boraam Industries
Hennington Kitchen Cart
ASSEMBLY INSTRUCTIONS





PLEASE READ ME FIRST



- Have questions about assembling your item?



- Item or parts damaged?



- Missing a part?



- We're here to help!



(847)949-6300 (M-F, 9am-5pm CST)



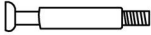







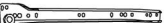








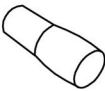
www.boraamindustries.com

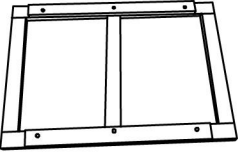
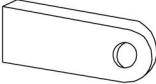



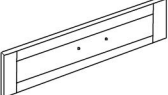
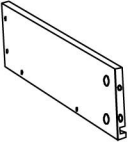
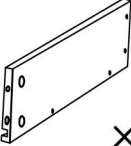
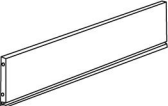
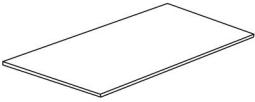
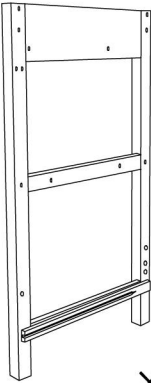
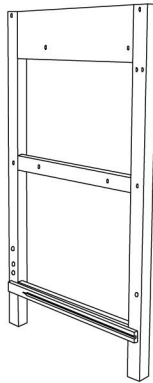
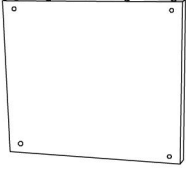
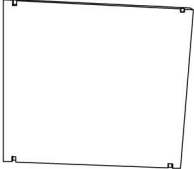



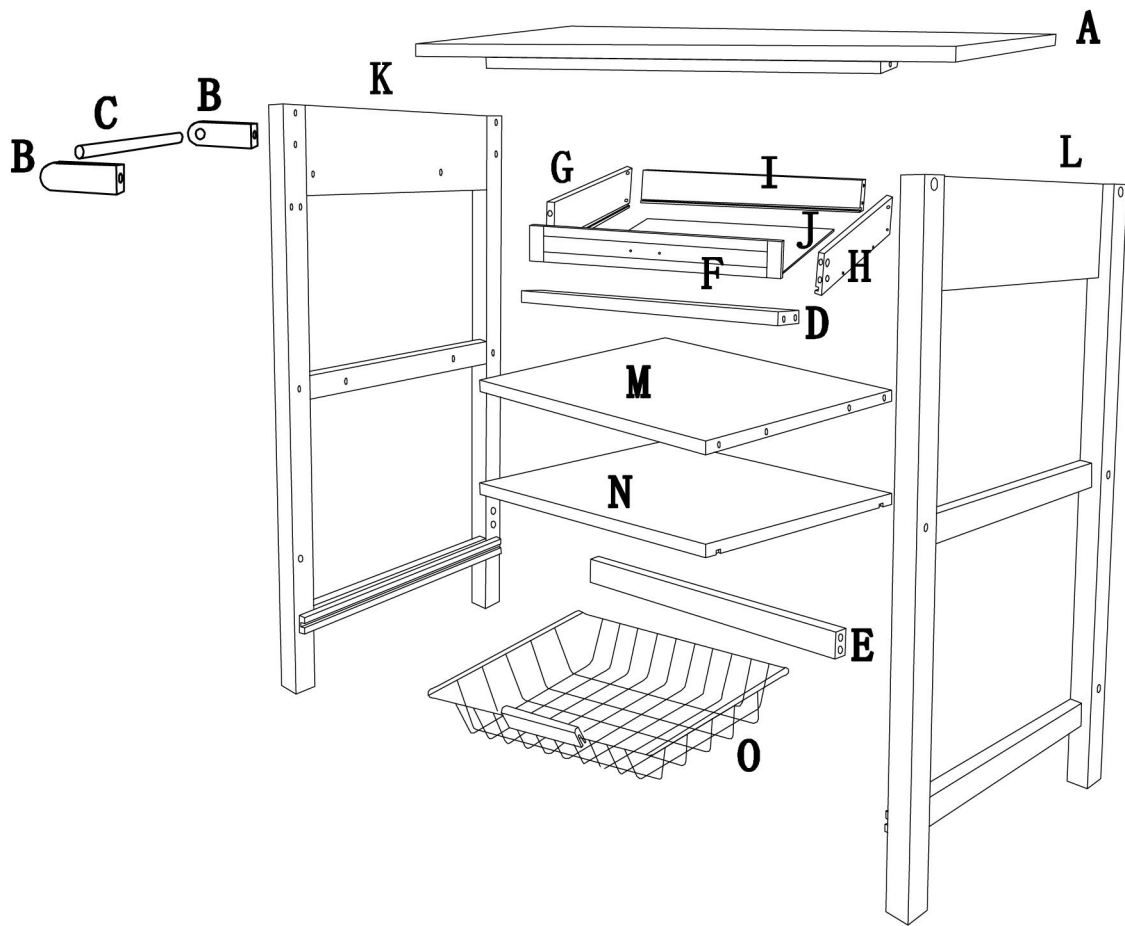
customerservice@boraamindustries.com

Phillips
Screwdriver
(Not provided)





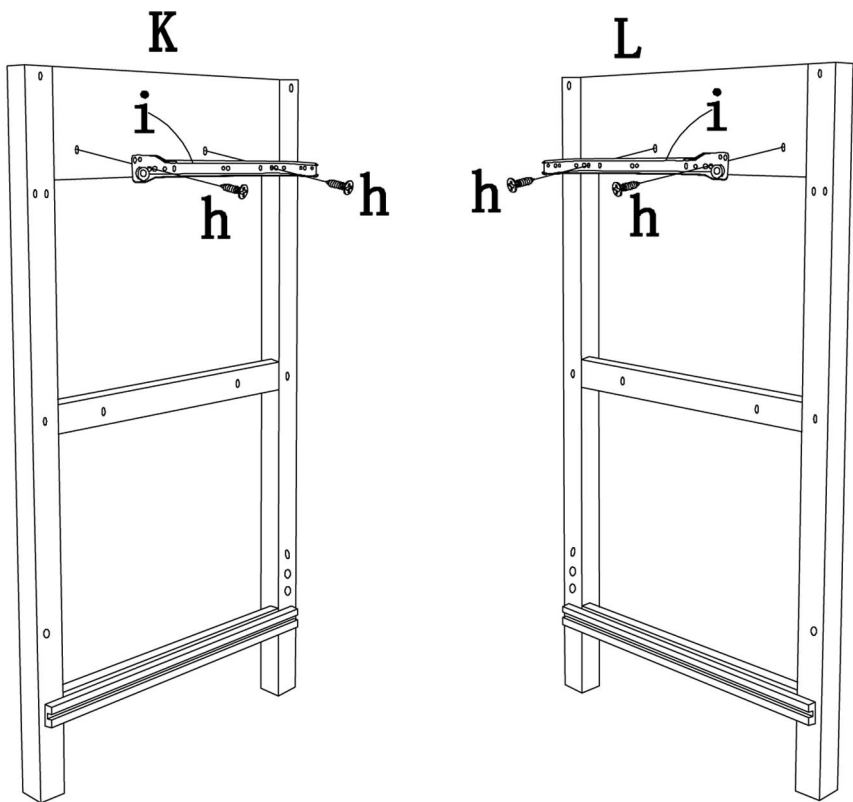
<p>a</p>  <p>× 4PCS</p>	<p>b</p>  <p>× 4PCS</p>	<p>c</p>  <p>× 10PCS</p>	<p>d</p>  <p>6×60mm × 10PCS</p>
<p>e</p>  <p>× 10PCS</p>	<p>f</p>  <p>× 1PC</p>	<p>g</p>  <p>4×16mm × 2PCS</p>	<p>h</p>  <p>3×12mm × 8PCS</p>
<p>i</p>  <p>LEFT</p>  <p>RIGHT</p> <p>× 1PC</p>	<p>j</p>  <p>LEFT</p>  <p>RIGHT</p> <p>× 1PC</p>	<p>k</p>  <p>× 2PCS</p>	<p>l</p>  <p>× 2PCS</p>
<p>m</p>  <p>× 1PC</p>	<p>n</p>  <p>3×25mm × 4PCS</p>	<p>o</p>  <p>5×45mm × 2PCS</p>	<p>p</p>  <p>× 4PCS</p>

<p>A</p>  <p>× 1PC</p>	<p>B</p>  <p>× 2PCS</p>	<p>C</p>  <p>× 1PC</p>	<p>D</p>  <p>× 1PC</p>
<p>E</p>  <p>× 1PC</p>	<p>F</p>  <p>× 1PC</p>	<p>G</p>  <p>LEFT × 1PC</p>	<p>H</p>  <p>RIGHT × 1PC</p>
<p>I</p>  <p>× 1PC</p>	<p>J</p>  <p>× 1PC</p>	<p>K</p>  <p>LEFT × 1PC</p>	<p>L</p>  <p>RIGHT × 1PC</p>
<p>M</p>  <p>× 1PC</p>	<p>N</p>  <p>× 1PC</p>		
<p>O</p> 			

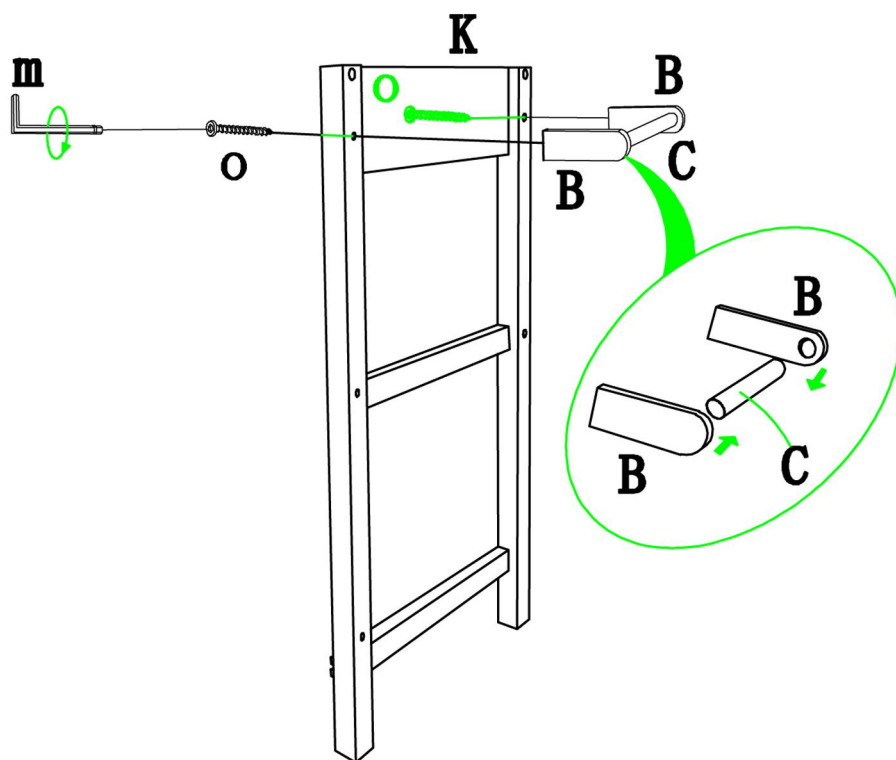


01

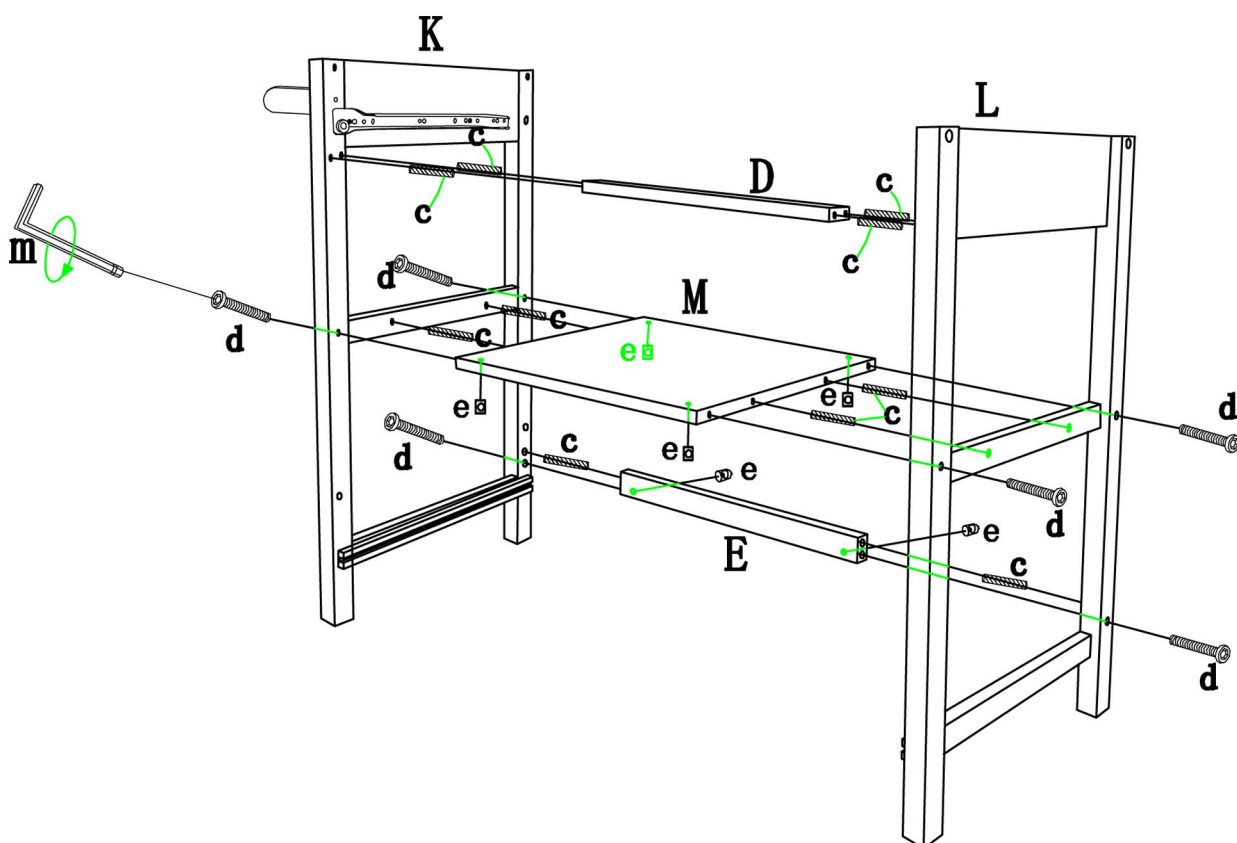
	$h \times 4$		$i \times 1$
---	--------------	---	--------------



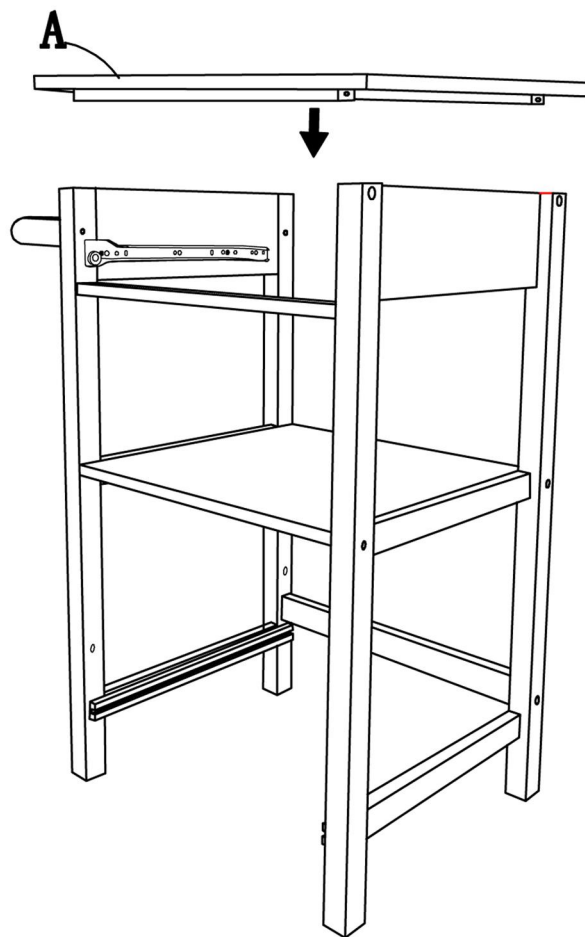
02



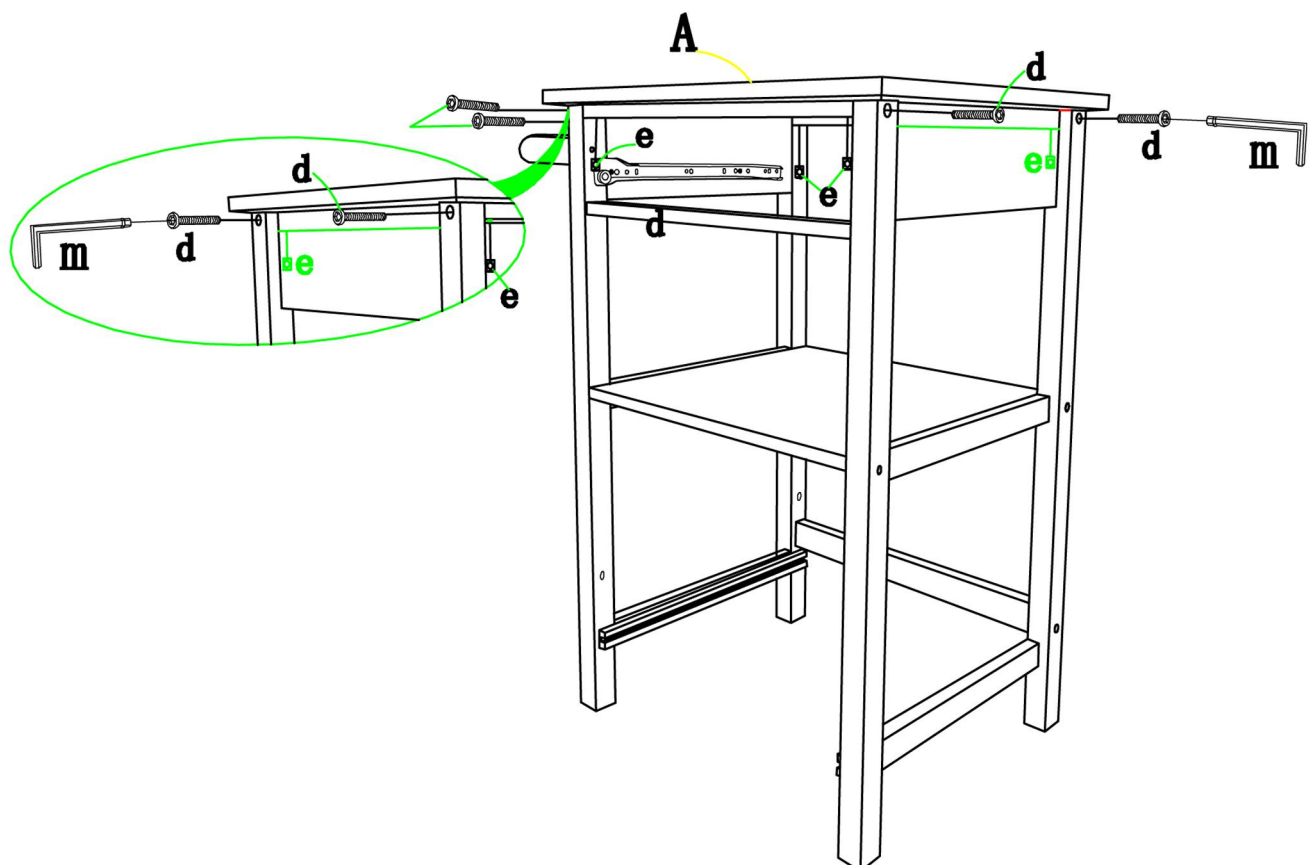
03





04

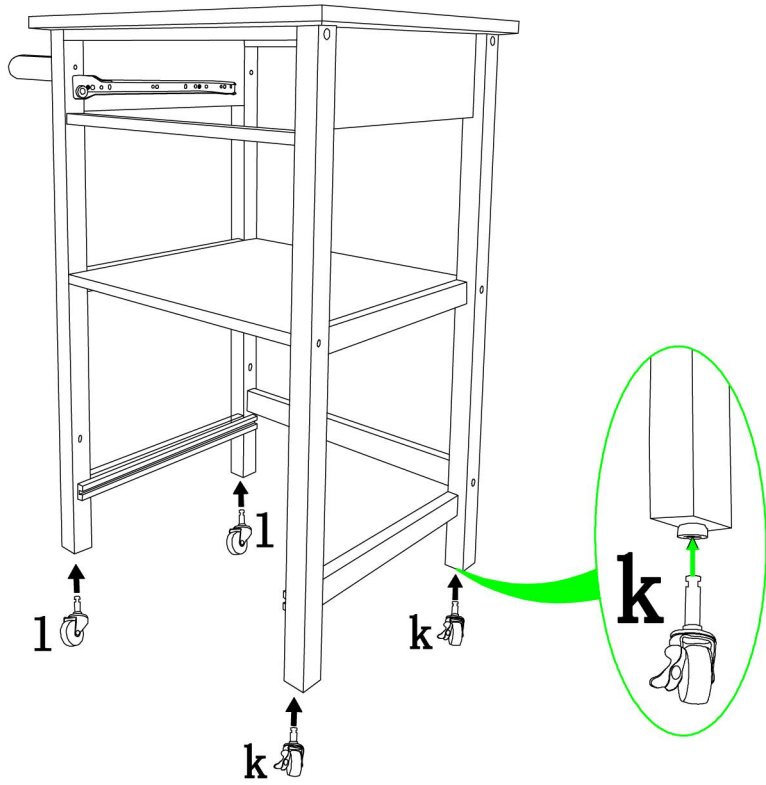


05








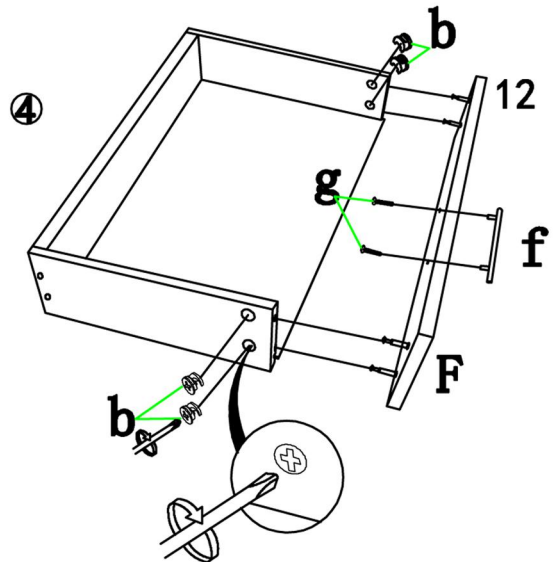
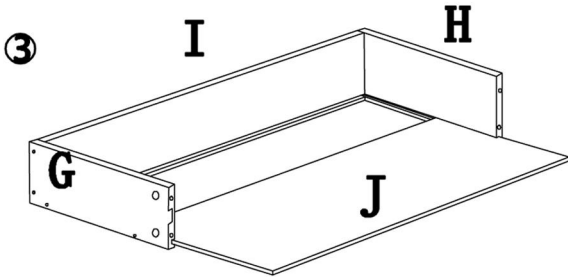
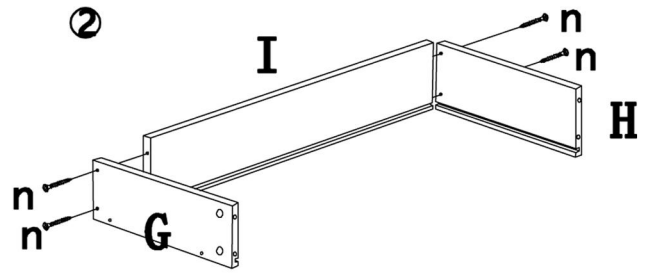
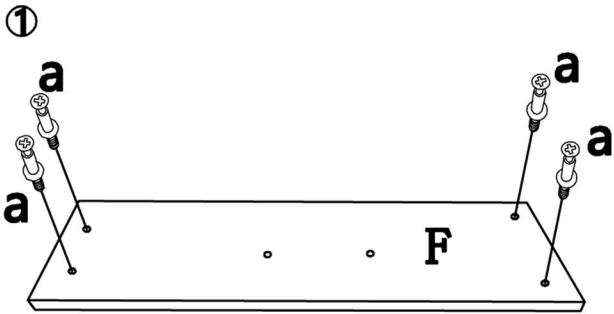
06

	$k \times 2$
	1×2



07

	$a \times 4$		$b \times 4$		$f \times 1$
	$g \times 2$		$n \times 4$		



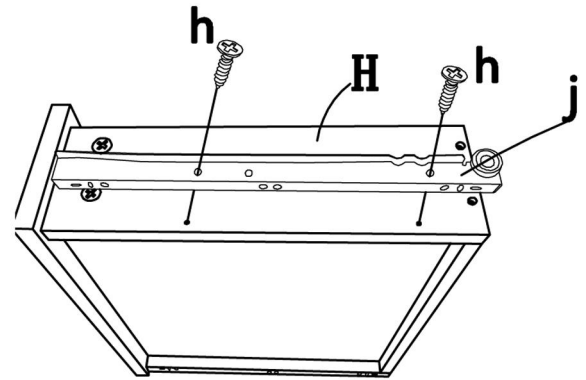
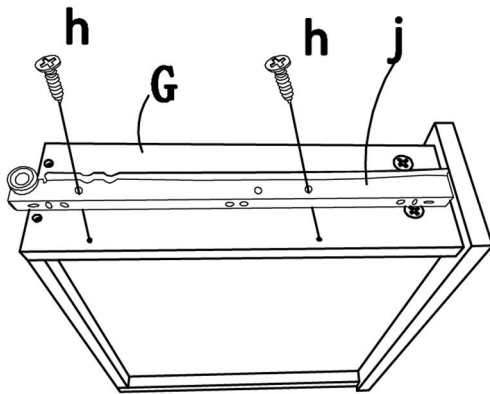
08



$h \times 4$



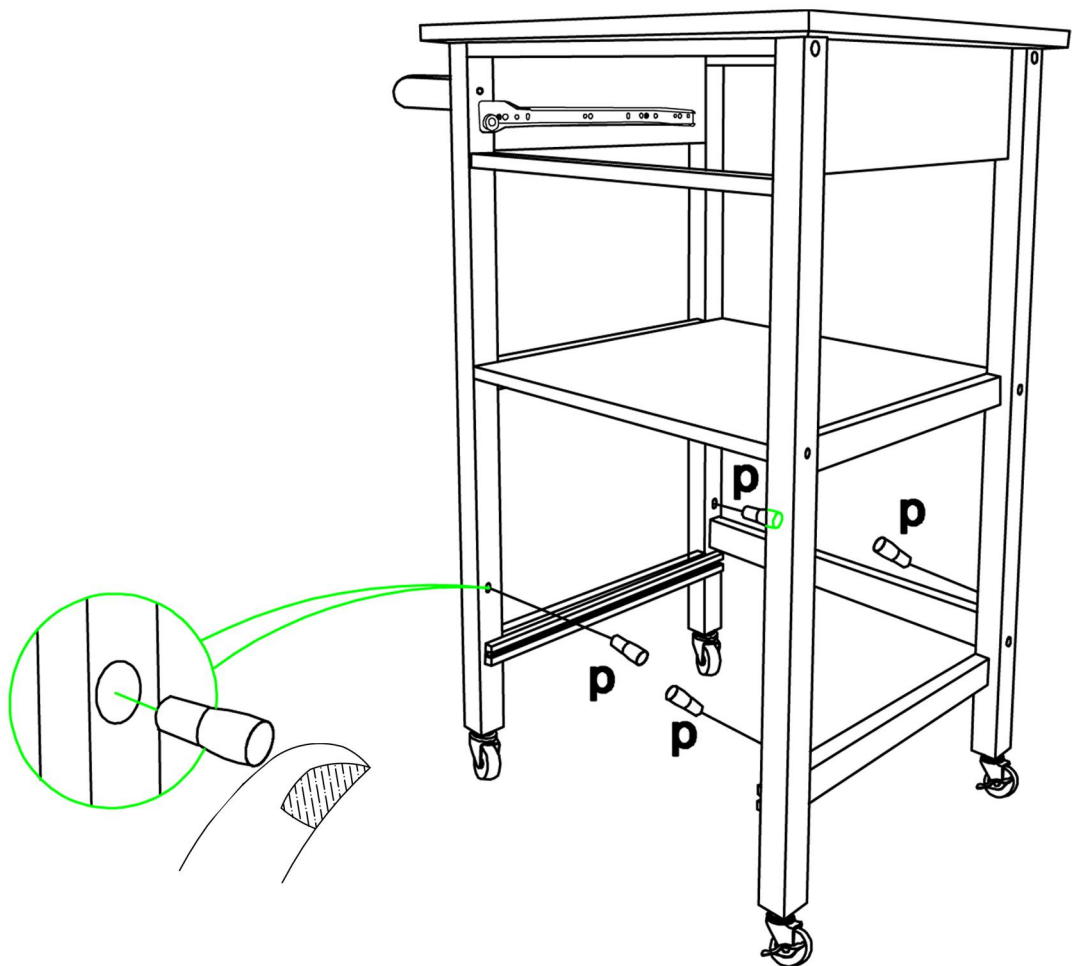
$j \times 1$



09



$p \times 4$



10

